

kränzle®

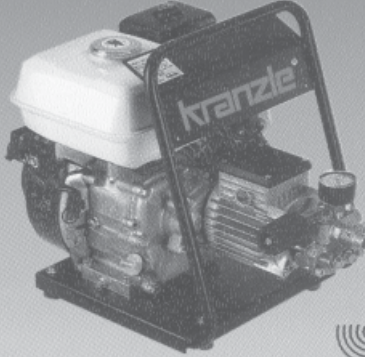
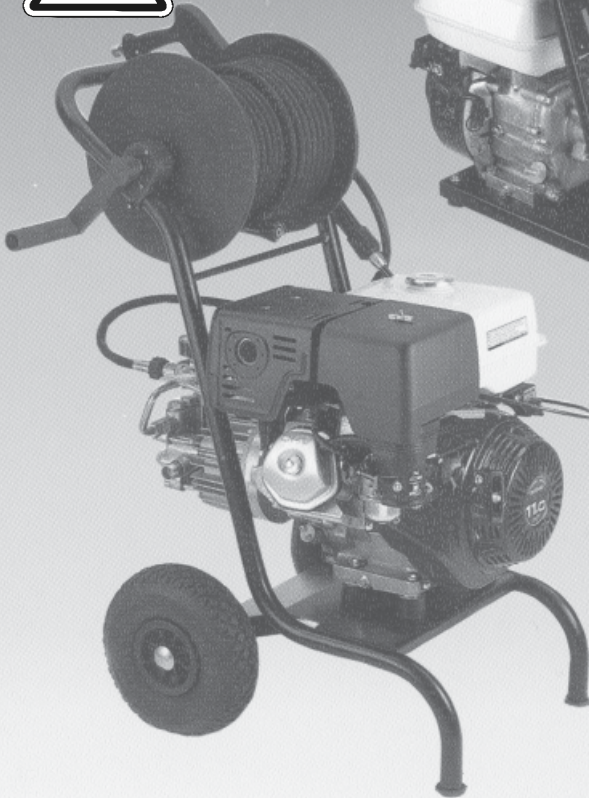
GB

High pressure cleaners

B 10/200

B 13/150

B 16/220



made
in
Germany



Operating manual
Read and conform
safety instructions
before use



Description

Dear Customer

We would like to congratulate you on your new portable/mobile high pressure cleaner and to thank you for the purchase.

To ease your introduction to the use of the cleaner, we have provided the following pages of explanations, tips and hints.

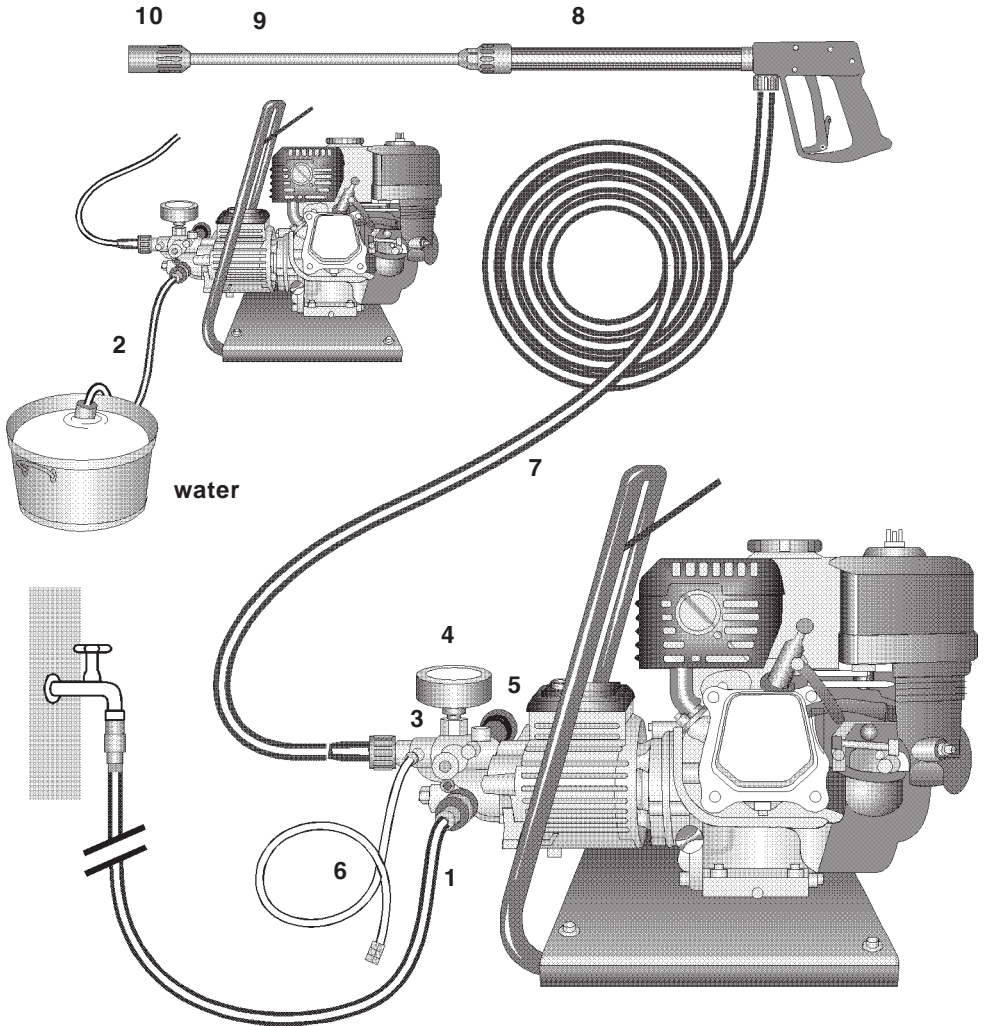
The equipment will assist you professionally in all cleaning tasks, e.g.:

- **facades** - **vehicles of oil** - **barrels and**
- **flagstones** **types** **containers**
- **terraces** - **sheds** - **machines**

technical specifications	B 10/200	B 13/150	B 16/220
operating pressure, steplessly adjustable	10 - 200 bar	10 - 150 bar	10 - 220 bar
permissible overpressure	220 bar	165 bar	240 bar
water output	at 1800 rpm 10 l/min	at 1800 rpm 13 l/min	at 1800 rpm 16 l/min
hot water input up to	70 °C	70 °C	70 °C
suction height	2,5 m	2,5 m	2,5 m
high pressure hose with hose drum	10 m -	10 m 15 m	10 m 15 m
engine	Honda GX 200 LX	Honda GX 160 CX	Honda GX 340 CX
weight	22 kg	24 kg	26 kg
Guaranteed sound level L_{WA}	103 dB(A)	103 dB(A)	103 dB(A)
Vibrations at lance	2,0 m/s ²	2,1 m/s ²	2,2 m/s ²
recoil at lance	approx. 32 Nm	approx. 27 Nm	approx. 38 Nm
order No.			
portable	41.182	41.170	
with undercarriage	41.182 1	41.170 1	41.173 2
with undercarriage and hose drum		41.170 2	41.173 3*
with speed control *			41.173

Permissible tolerance for figures ± 5 % in accordance with VDMA uniform sheet 24411

Description



Construction

The KRÄNZLE B 10/200 + B 13/150 + B 16/220 - high pressure cleaners are portable/mobile machines. The design can be seen from the diagram.

Item

- | | |
|---|---|
| 1 Water inlet connection with filter | 6 Injector for cleaning agents (not with B10/200) |
| 2 Suction hose with filter (special accessory) order No. 15.038 | 7 High pressure hose |
| 3 High pressure pump | 8 Spray gun assembly |
| 4 Pressure gauge with glycerin filling | 9 Interchangeable lance |
| 5 Unloader valve - safety valve | 10 Regulator nozzle |
| | 10a B10/200 only with dirt-killer |

Description

Water - and Cleanng - Care System

Water can be connected at mains pressure to the high pressure pump or it can be sucked directly from a storage tank.

The water is then forced under pressure by the high pressure pump to the lance.

The high pressure jet is formed by the nozzle at the end of the lance.

Cleaning and caring agents can be mixed with the water by a low pressure injector.
(not with B10/200)



Environmental, refuse disposal and water protection regulations must be observed !

Lance with trigger gun

The machine can only be operated when the safety trigger is squeezed.

When the lever ist squeezed, the spray gun opens. The liquid is then pumped to the nozzle. The spray pressure increases and quickly reaches the selected operating pressure.

When the trigger ist released, the trigger gun closes and any further spraying of liquid from the lance ist stopped.

The increase in pressure when the trigger gun is closed causes the unloader valve - safety valve to open. The pump remains switched on and continues to pump liquid through the pump at reduncated pressure.

When the trigger gun ist opened, the unloader valve - safety valve closes and the pump ressumes pressure spraying from the lance.



The trigger gun is a safety device. Repairs should only be performed by qualified persons. Should replacement parts be required, use only components authorized by the manufacturer.

Unloader valve - safety valve

The unloader valve - safety valve protects the machine from a build-up of excess pressure, and is designed not to permit an excess pressure to be selected for operating. The limit nut on the handle is sealed with a spray coating.

The operating pressure and spray rate can be steplessly adjusted by tuning the handle.



Replacements, repairs, new adjustments and sealing should only be performed by qualified persons.

Description



For the motor follow the Honda operating manual only.

Motor-safety: (see Honda operating manual)

Honda motors are safe and reliable if they are operated correctly. Read the operating manual carefully before using the motor and try to understand the contents of the manual completely.

Not following this advice could lead to injuries or damage of the equipment.



To avoid a possible fire hazard and to ensure the necessary ventilation the motor has to be operated at a distance of at least 1 m from buildings and objects. Inflammable objects have to be kept away from the surrounding area of the motor.

Children and pets have to be kept away from the motor, as there is a danger of suffering burns from hot motor parts and to be injured by equipment driven by the motor.

Get to know the motor and especially learn how to switch it off quickly. Do not allow persons to operate the motor who are not familiar with it.

Setting up: Location



Neither set up and operate the machine in rooms where there is a risk of fire or explosion nor put it into puddles. Do not use the machine under water.

CAUTION !



Never use liquid containing solvents such as paint thinners, petrol, oil or similar liquid matter. **Pay attention to the instructions of the manufacturers of the cleaning agents.** The seals in the machine are not resistant to solvents. The spray of solvents is inflammable, explosive and poisonous.

CAUTION !



When running your high pressure cleaner with hot water of 70° C raised temperatures occur.
Do not touch the machine without safety gloves.

Description



Brief operating instructions

1. Connect the high pressure hose with spray gun and machine.
2. Connect the suitable water supply.
3. Flush the air from the pump (open and close the spray gun several times).
4. Switch on the motor while the spray gun is open and commence cleaning.
5. After completing the work, completely empty the pump (switch the motor on for approximately 20 seconds without the suction and pressure hose).
Afterwards you can roll up the high pressure hose.
- Only use clean water ! Protect from frost !

CAUTION !

Please pay attention to the regulations of your waterworks company.

In accordance with DIN 1988, the machine may not be directly connected to the public drinking water supply lines.

A brief connection however is permissible according to DVGW (German Association for Gas and Water Affairs) if a tube ventilator with check valve (KRÄNZLE Order-No. 41.016 4) is built into the water supply.

Also indirect connection to the public drinking water supply lines is permissible by way of free emission in accordance with DIN 1988, part 4; e.g. by using a reservoir with a float valve.

Direct connection to a non-drinking water supply line is permissible.

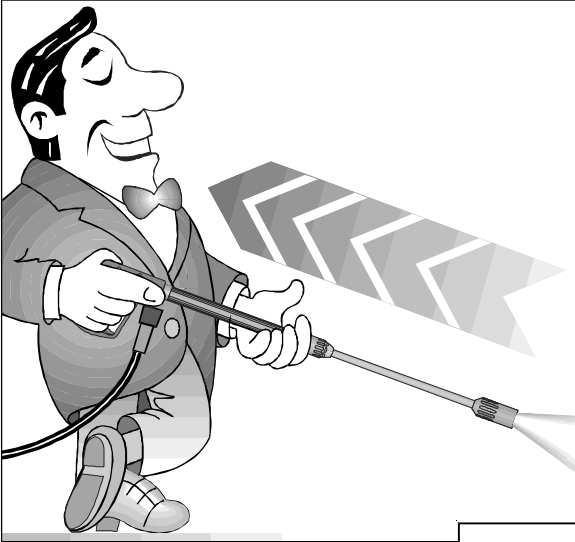
High pressure hose and spray device

The high pressure hose and spray device supplied with the machine are made of high grade material, they are also optimized for the machine and marked as required by the appropriate regulations.



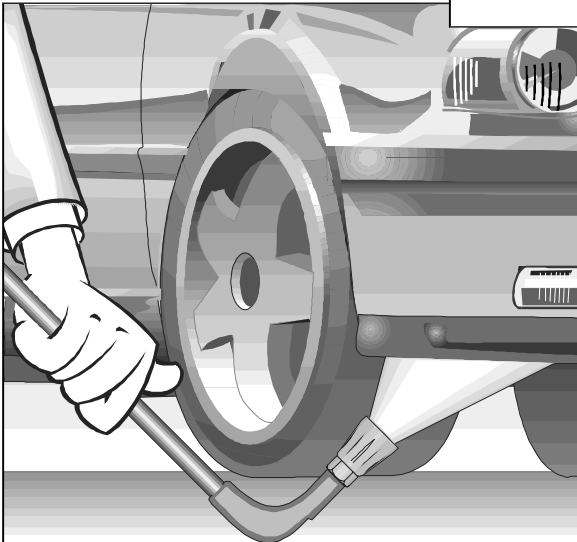
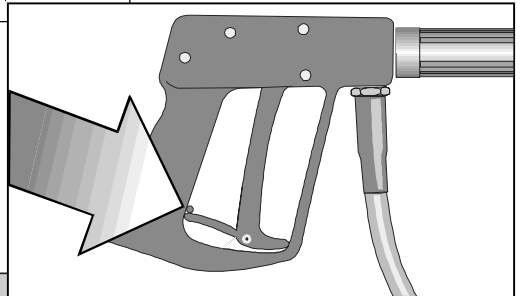
If replacement parts are required, only such parts that are authorized by the manufacturer and which bear the markings required by the appropriate regulations may be used. The high pressure hose and spray device must be connected in a pressure-tight manner. The high pressure hose may not be driven over, pulled excessively, or twisted. The hose may under no circumstances be pulled over sharp edges, since otherwise the guarantee is automatically void.

Safety notes



**As to the recoil -
see notice on page 2.**

**Apply the safety catch on the
spray gun after each use, in
order to prevent
unintentional spraying.**



**Always aim the
underbody lance. Note
when using an angle
underbody lance, like
for example lance
No. 41.075, that there
is a certain amount of
torque (twisting
motion) in the recoil.
(See also notice on
page 2).**

This is what you've purchased :



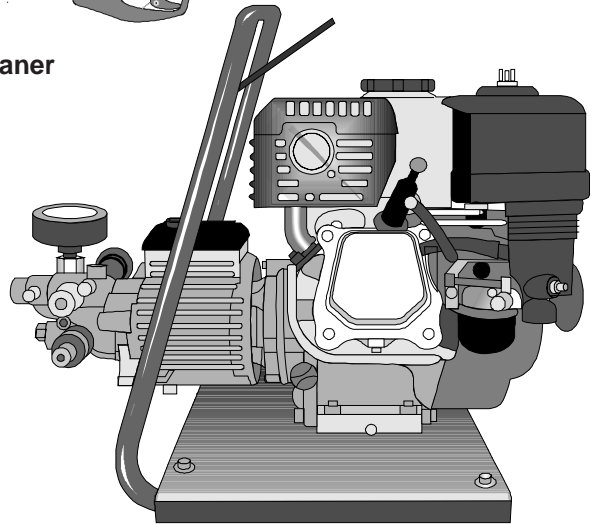
1. Spray lance with regulator and high pressure nozzle, flat spray (B10/200 only with dirt-killer, vario-jet)



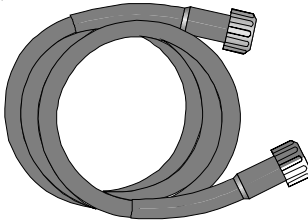
2. Spray gun with insulated pistol grip and screw connection



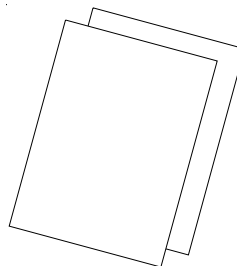
3. KRÄNZLE - High pressure cleaner B 10/200 B 13/150 B 16/220



4. High pressure hose 10 m
15 m HP-hose for cleaners with hose drum



5. Operating instructions pump
Operating instructions motor

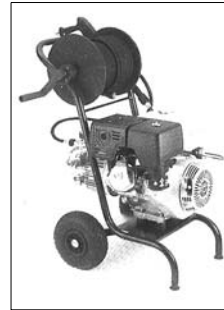
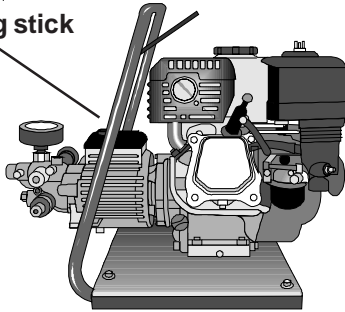


6. Water inlet components

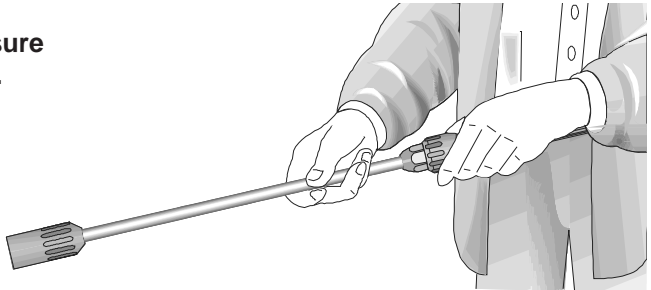


Prepare for use

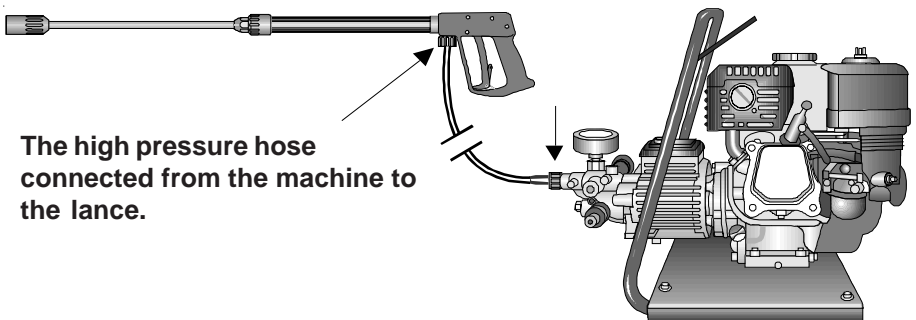
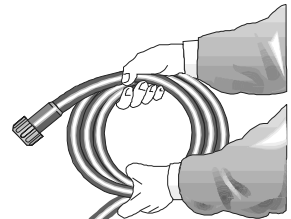
1. Oil-measuring stick



2. Connect the high pressure lance to the spray gun.

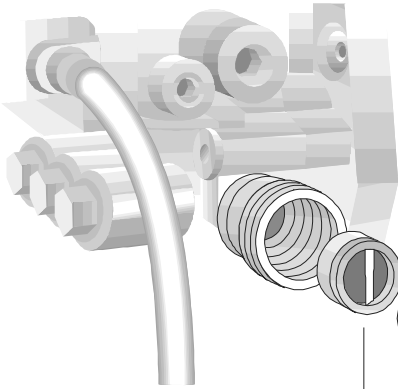


3. Unwind the high pressure hose without leaving kinks or "nooses" and connect it to the spray gun and pump. When using extension hoses, use max. 20 m high pressure hose, or 2 x 10 m with hose connectors.



The high pressure hose connected from the machine to the lance.

Preparation for use



Please make ¹ sure that the filter is clean before using your high pressure cleaner.

4. The machine can be connected to a pressurised water line with cold or 60 °C respectively 70 °C hot water (see page 2).

Ensure that the water supply is clean when sucking from external sources.

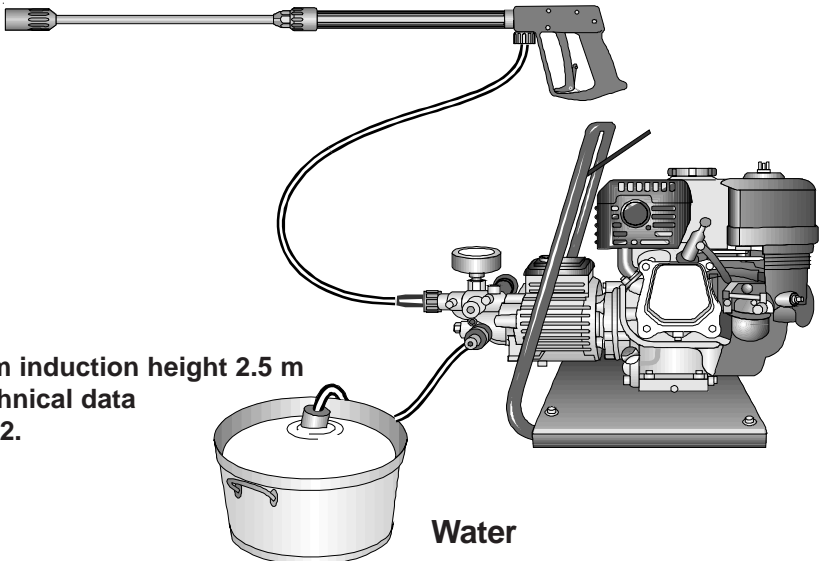
The hose cross section must be at least 1/2" = 12.7 mm (free passage). Filter 1 must always be clean.

CAUTION !



When running your high pressure cleaner with hot water of 70° C raised temperatures occur.

Do not touch the machine without safety gloves.

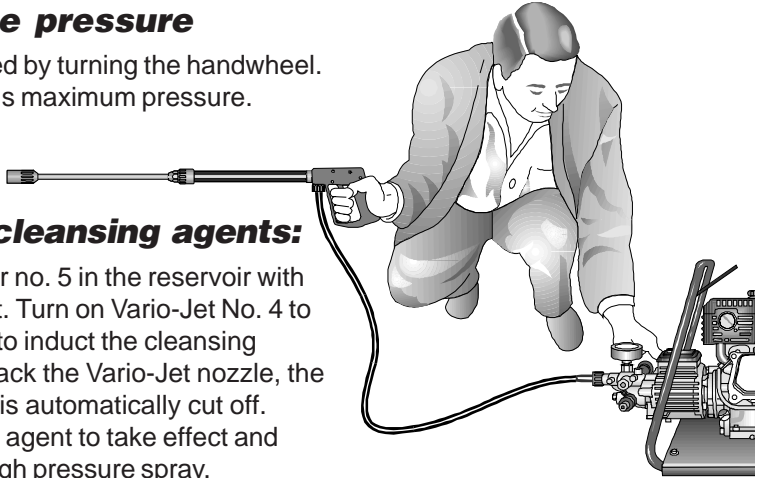


5. Maximum induction height 2.5 m
- see technical data
on page 2.

Preparation for use

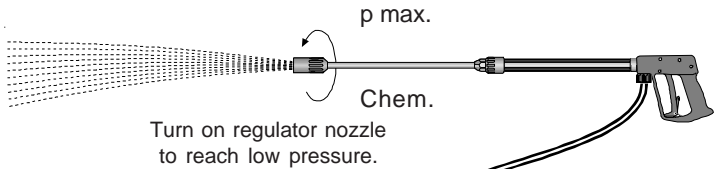
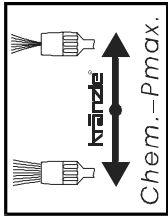
Adjusting the pressure

This is accomplished by turning the handwheel.
The default setting is maximum pressure.



When using cleansing agents:

Place chemical filter no. 5 in the reservoir with the cleansing agent. Turn on Vario-Jet No. 4 to enable the injector to induct the cleansing agent. By turning back the Vario-Jet nozzle, the supply of chemical is automatically cut off. Allow the cleansing agent to take effect and then remove with high pressure spray.

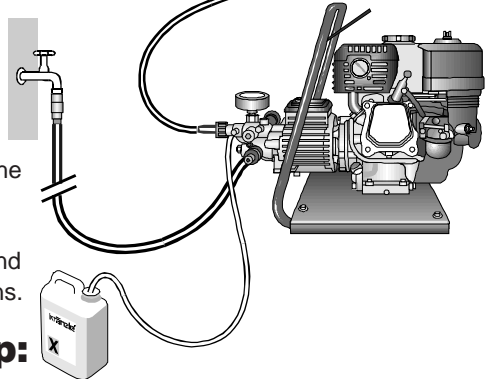


Turn on regulator nozzle to reach low pressure.

A mixing ratio of 3-5% is achieved when the Vario-Jet is fully turned on. pH value neutral 7-9.



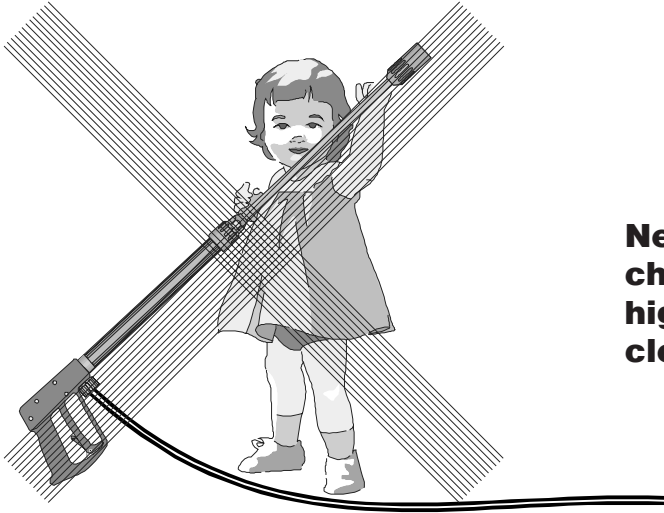
Note that you must always comply with the instructions provided by the manufacturer of the cleansing agent (e.g. instructions concerning safety clothing) and the water protection regulations.



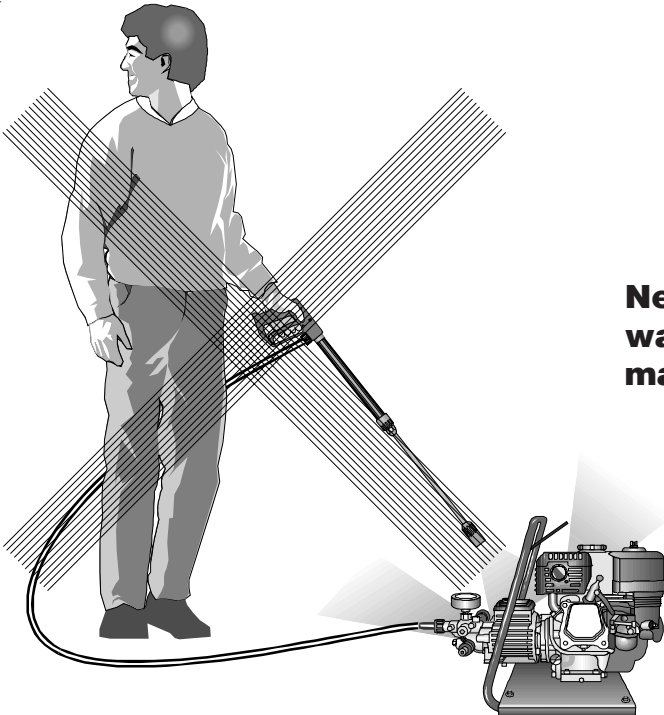
To shut down the pump:

1. Switch off the machine
2. Cut off the water supply
3. Open the spray gun briefly until the pressure is released
4. Apply the safety catch on the spray gun
5. Remove the water hose and high pressure hose
6. Drain the pump: switch on the motor for approx. 20 seconds
7. Winter: store the pump in rooms above 0° C
8. Clean the water filter

This is prohibited

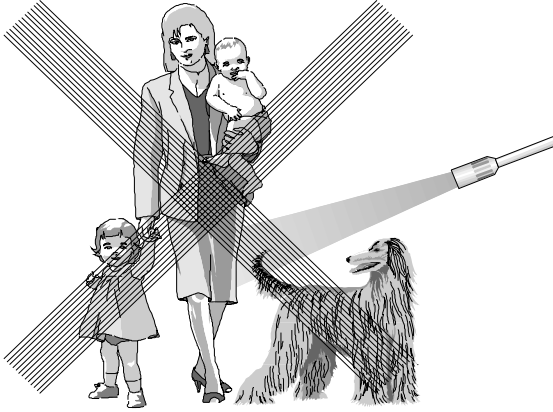


Never allow children to use the high pressure cleaner !

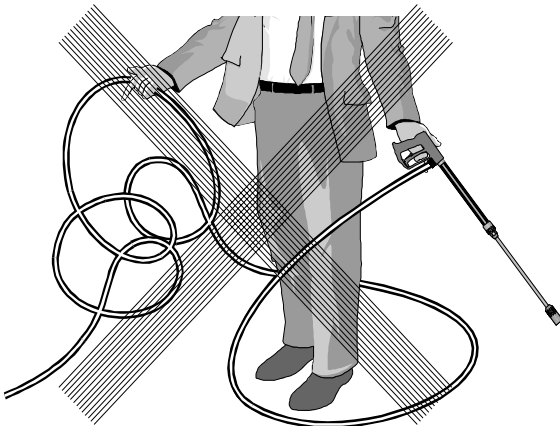


Never direct the water jet at the machine itself !

This is prohibited



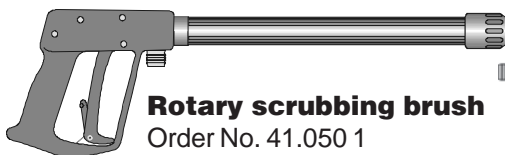
Never direct the water jet at people or animals !



**Never pull the high pressure hose if it has formed kinks or "nooses"!
Never pull the hose over sharp edges !**

Additional KRÄNZLE accessories

(not with B 10/200)



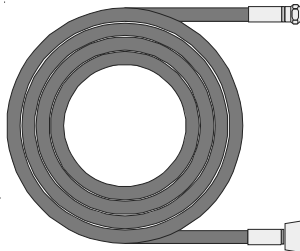
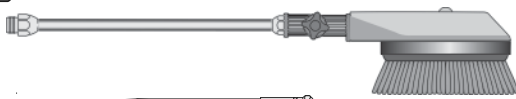
Rotary scrubbing brush

Order No. 41.050 1

Drain and pipe cleaning hose

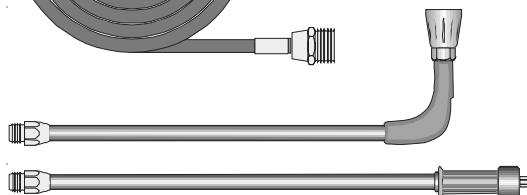
8 m - Order No. 41.051

15 m - Order No. 41.058



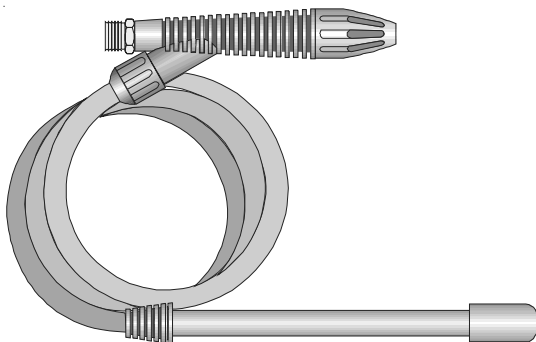
Underbody lance, new

Order No. 41.075



Sandblaster

Order No. 41.068 1



Flat brush

Order No. 41.073

Dirtkiller

B 10/200

Order No. 41.073 8

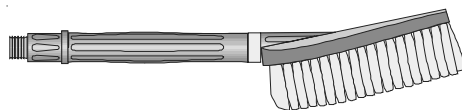
B 13/150

Order No. 41.072 5

Turbokiller

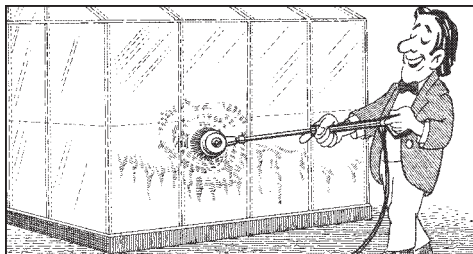
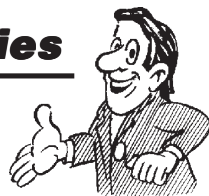
B 16/220

Order No. 41.072 4

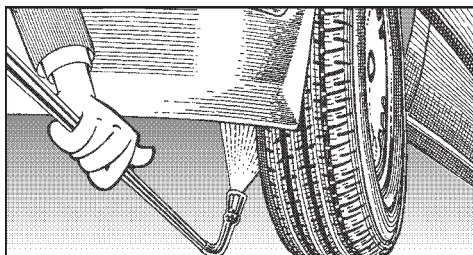


Environmental, refuse disposal and water protection regulations must be observed when using the accessories.

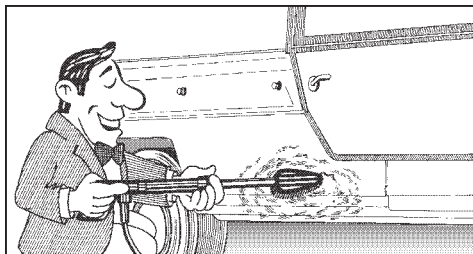
for further combination possibilities



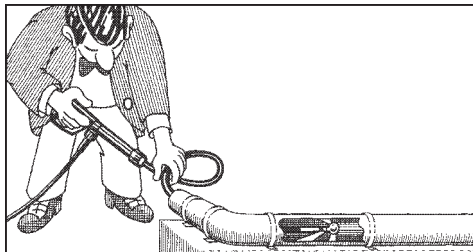
Car cleaning, glass, caravan, boat etc.:
rotary washing brush with 40 cm extension and
ST 30 nipple M 22



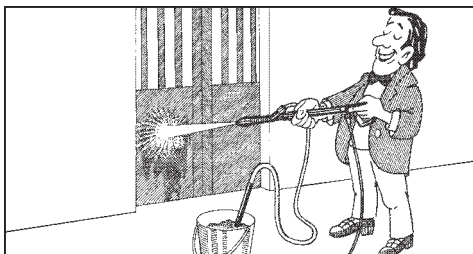
Underbody cleaning of cars, trailers and
equipment: lance 90 cm with high pressure
nozzle and ST 30 nipple. The lance must
be aimed when spraying.



Cleaning cars and all smooth surfaces:
brush with ST 30 nipple M 22.



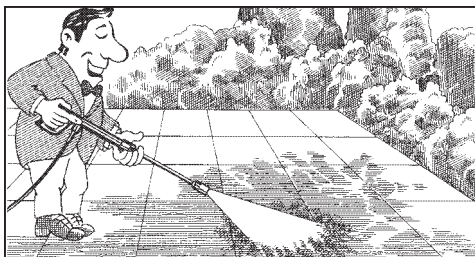
Cleaning pipes, channels and drains: Pipe
cleaning hose with KN nozzle and
ST 30 nipple M 22.



Blasting old paint, rust and facades:
sandblasting injector with suction lance and
3 m PVC hose and ST 30 nipple M 22.



**When sandblasting you must
wear protection clothes! Pay
attention to the instructions of
the manufacturer of the
abrasive.**

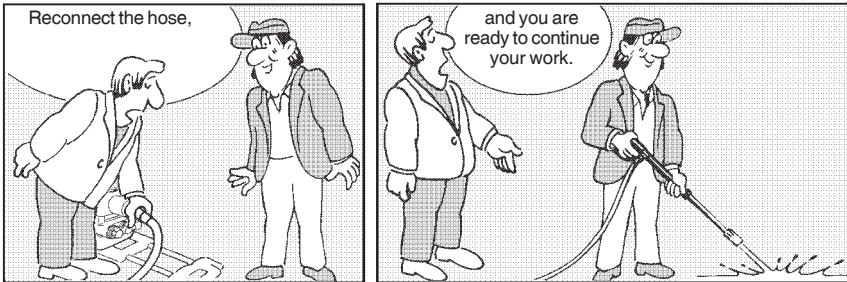
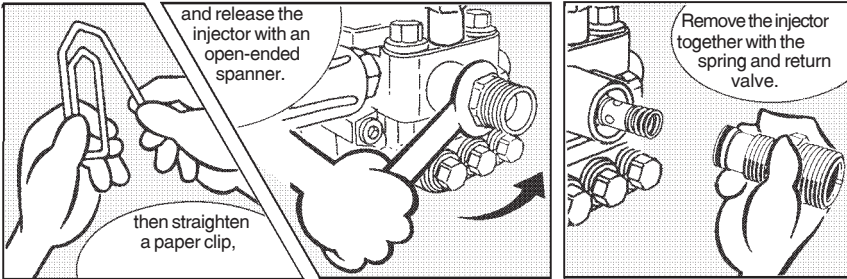
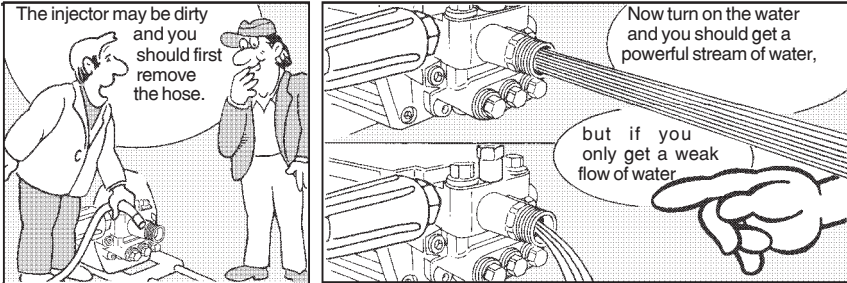


Rotary point sprayer for extreme soiling:
dirt killer with 40 cm extension and
ST 30 nipple M 22.

Small repairs -

You only get a weak flow of water or no water at all !

- The pressure gauge shows a 10% higher pressure than the working pressure.

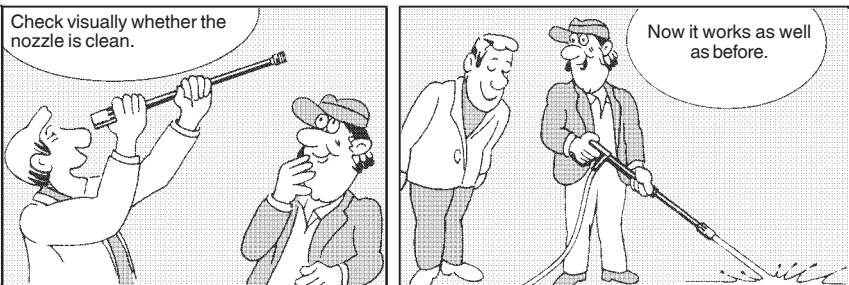
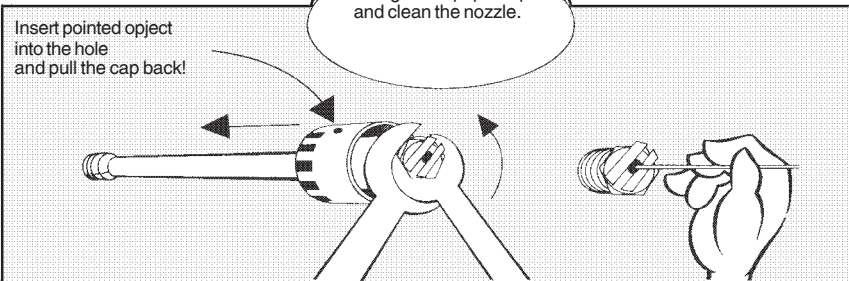
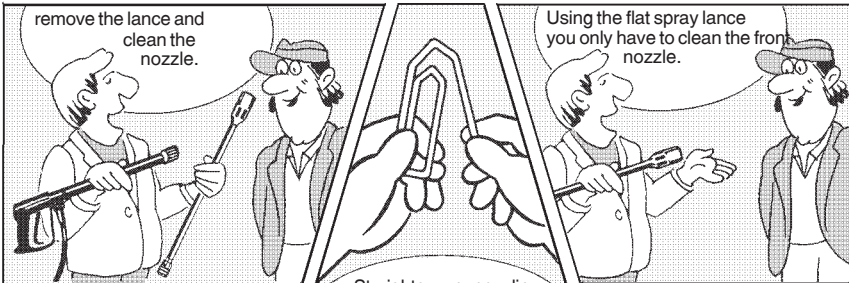
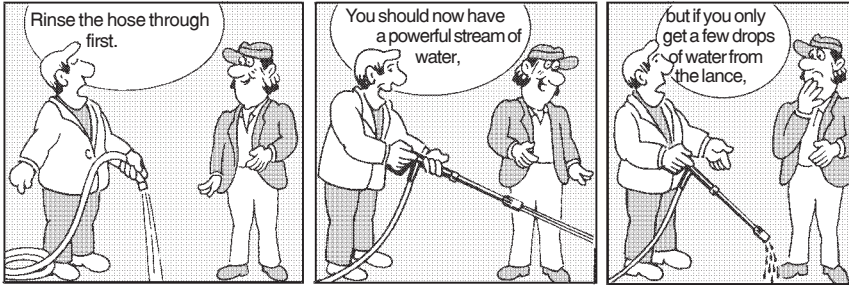


Do it yourself !



The nozzle is blocked !

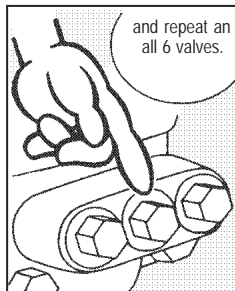
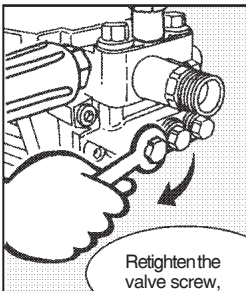
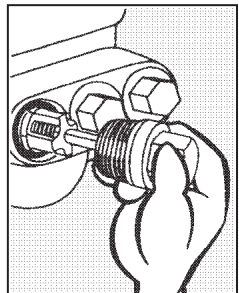
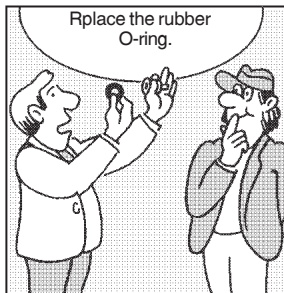
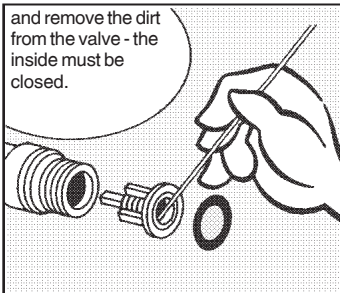
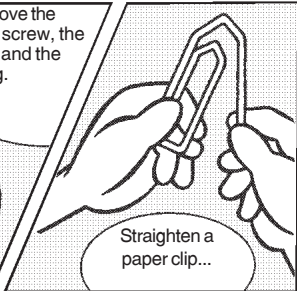
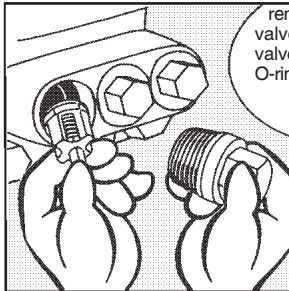
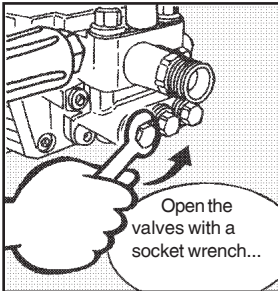
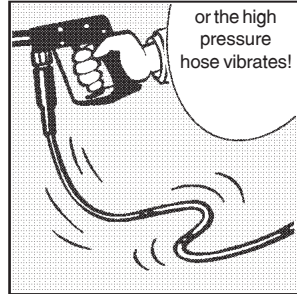
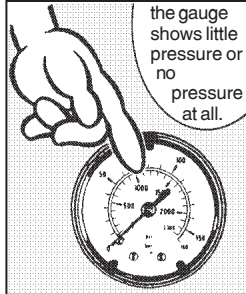
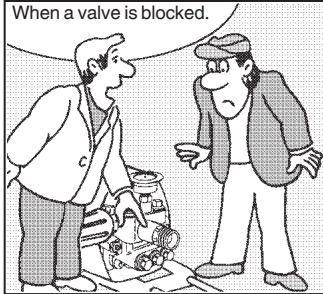
- No water but the gauge shows full pressure.



Small repairs - Do it yourself !

Valve dirty or sticky !

- Pressure gauge does not show full pressure.
- Water comes out in spurts.
- If you do not use the high pressure cleaner for some time the valves can stick.
- The high-pressure hose vibrates.



General rules

Inspections:

The machine must be inspected according to the "Guidelines for Liquid Spray Devices" at least once every 12 months by a qualified person, to ensure that continued safe operation is guaranteed. The results of the inspection are to be recorded in writing. This may be done in any form.

Accident prevention

The machine is designed for accidents to be impossible if used correctly. The operator is to be notified of the risk of injury from hot machine parts and the high pressure water jet. The "Guidelines for Liquid Spray Devices" must be complied with. (see page 12 and 13)

Check the oil level with the oil-measuring stick prior to each use.

(Ensure horizontal position!)

Oil change B10/200 ; B13/150:

No oil change is required during the working life of the machine. However, should it be necessary to change the oil in the event of repairwork, the oil sight glass is to be opened over a reservoir and the machine to be emptied. The oil is to be caught in the reservoir and disposed of in the approved manner.

New oil: 0,5 l - Motor oil W 15/40

Oil change B16/220:

The oil of your high pressure pump should be changed after approx. 40 hours of operation, or no later than when it takes on a grey or whitish colour. Open the oilplug over a container and drain off all the oil. The oil must be caught in a container and disposed of in a responsible, legal manner.

New oil: 1,0 l - Castrol Formula RS

Warranty

This warranty covers material and/or workmanship related defects only and does not extend to ordinary wear.

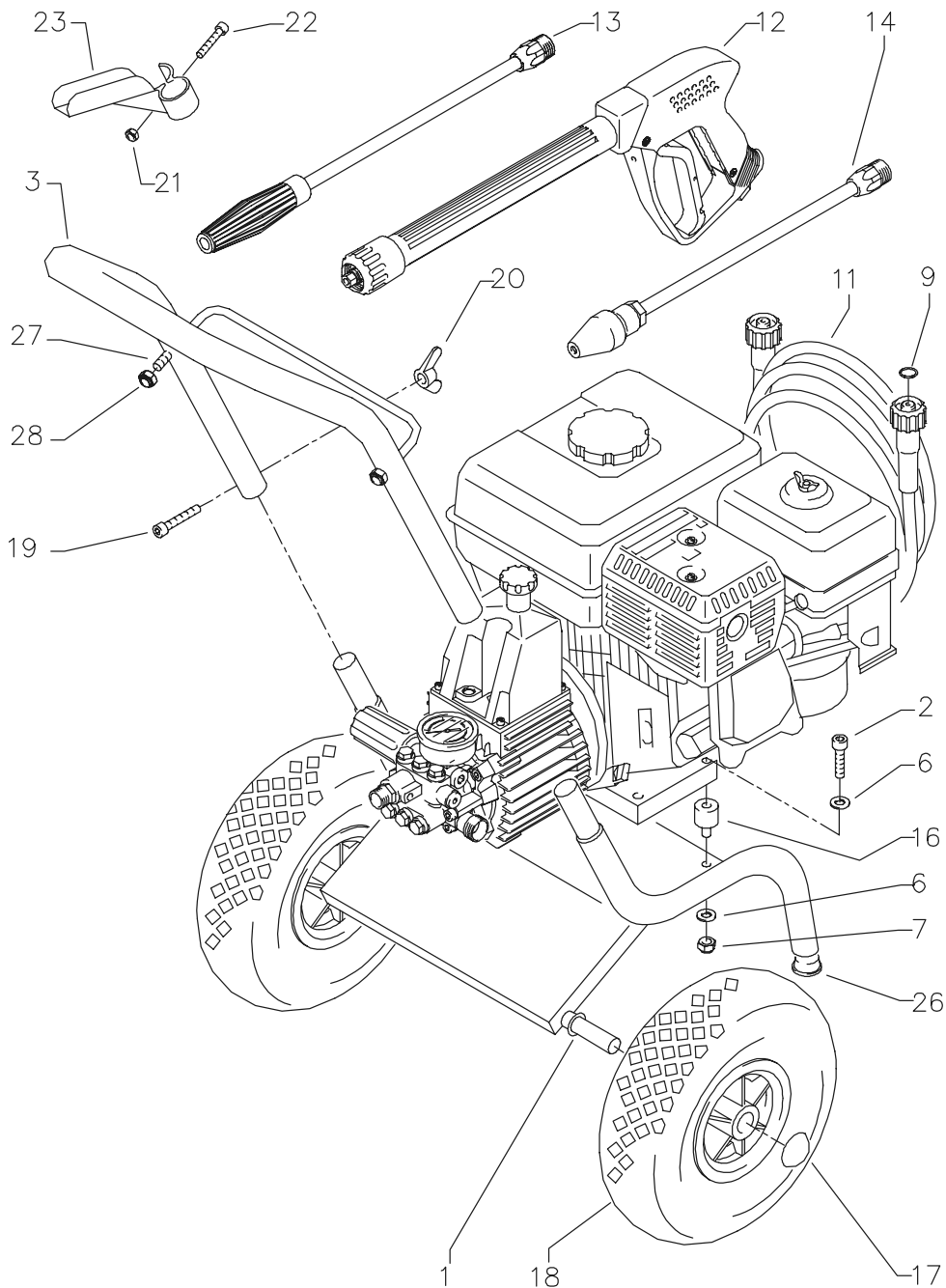
Machine must be operated according to enclosed operating instructions which are part of present warranty conditions.

All products sold directly to private customers are warranted for a period of 24 months, whereas the warranty period for industrial purchases is limited to 12 months.

In case of any warranty claims, please have your HP cleaner together with accessories and your purchase document ready and contact your nearest dealer or authorized service point which can also be looked up in the internet at www.kraenzle.com .

Warranty is void in case of attempts to modify any of the safety devices or in the event of exceeding temperature or rpm limits - this also applies to undervoltage, low water and/or polluted water. Gauge, nozzle, valves, sealing gaskets, high pressure hose and spray equipment are considered wear parts and do not fall under this warranty.

Complete Assembly

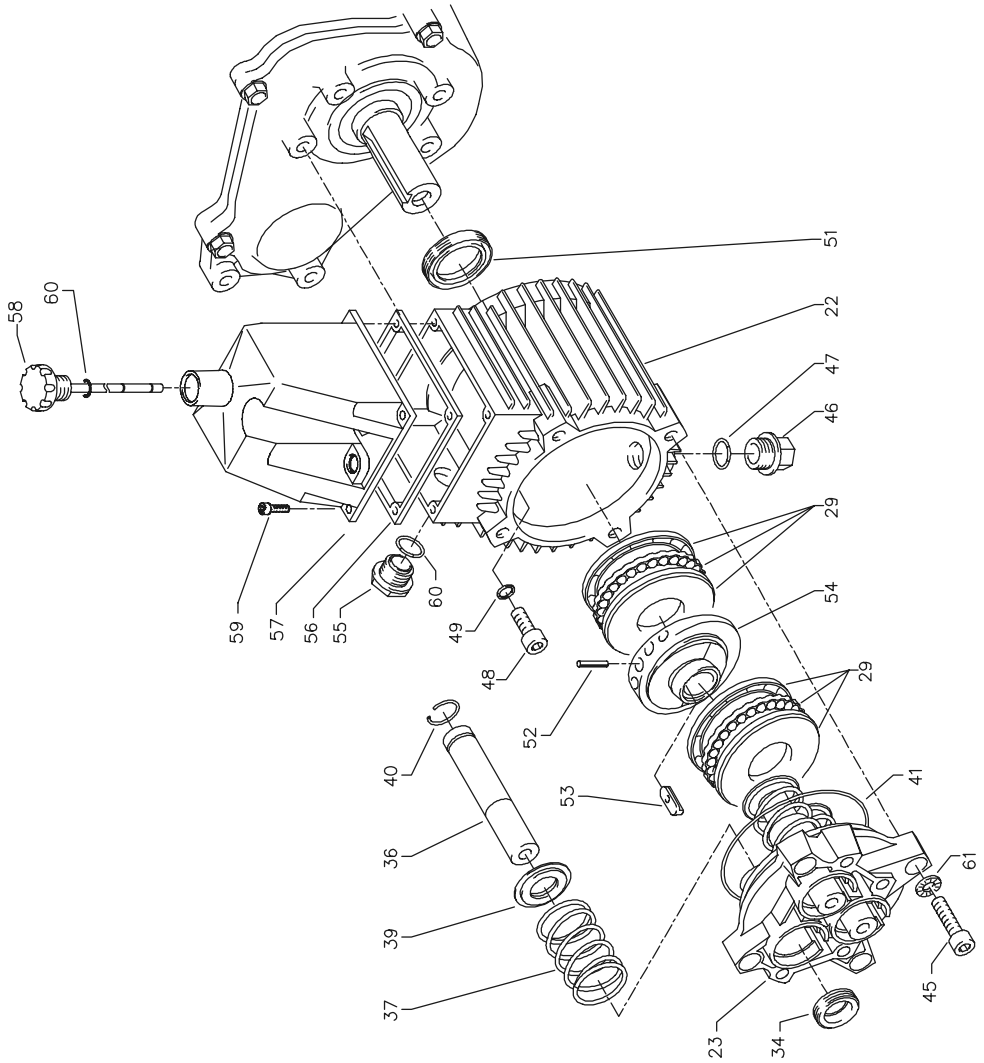


KRÄNZLE B 10/200

Spare parts list Profi-Jet B 10/200 with undercarriage Complete Assembly

No.	Description	Qty.	Ord.-No.
1	Wagen	1	41.101 7
1a	Wagen kompl. (Pos. 1-3)	1	41.101 5
2	Innensechskantschraube M 8 x 35	4	41.510
3	Schubbügel	1	41.101 3
6	Unterlegscheibe 8,4	8	41.515 6
7	Elastic-Stop-Mutter M 8	4	41.410
9	O-Ring 9,3 x 2,4	2	13.273
11	Hochdruckschlauch 10 m / DN8-210bar	1	41.081
12	Starlett II mit ISO-Handgriff	1	12.320 2
13	Lanze mit Vario-Jet 030	1	41.156 2
14	Lanze mit Schmutzkiller 030	1	41.073 8
16	Gummidämpfer	4	40.220
17	Starlock-Kappe	2	40.142
18	Rad luftbereift	2	40.141
19	Innensechskantschraube M 6 x 40	2	40.133
20	Flügelmutter M 6	2	40.132
21	Mutter M 5	1	41.416
22	Schraube M 5 x 40	1	41.415
23	Pistolenhalterung	1	40.130
26	Gummistopfen für Wagen	2	40.208 1
27	Bügel	1	41.101 6
28	Elastic-Stop-Mutter M 8	2	41.514
	Motor Honda GX 200 LX		24.027 2

Transmission unit

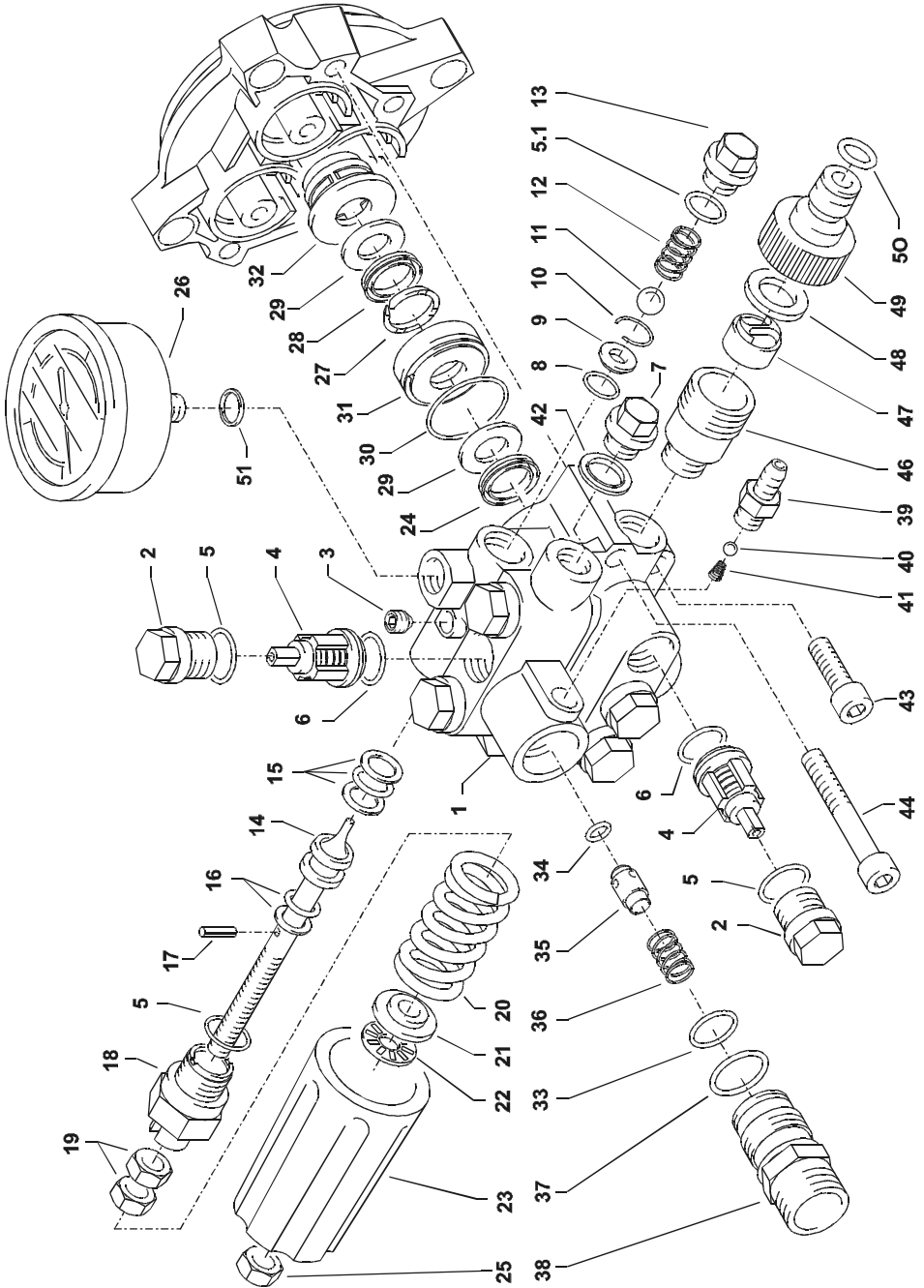


Kränzle B 10/200

Spare parts list Profi-Jet B 10/200 Transmission unit

No.	Description	Qty.	Ord.-No.
22	Getriebegehäuse	1	41.481 1
23	Gehäuseplatte 15 mm	1	42.906
29	Axial-Rillenkugellager 3-teilig	2	43.486
34	Öldichtung 15 x 24 x 7	3	42.907
36	Plunger 15 mm	3	42.908
37	Plungerfeder	3	41.033
39	Federdruckscheibe 15 mm	3	42.909
40	Sprengring 15 mm	3	42.910
41	O-Ring Viton 88 x 2	1	41.021 1
45.1	Innensechskantschraube M 8 x 30	4	41.036 1
46	Ölablaßschraube M 18 x 1,5	1	41.011
47	O-Ring 12 x 2	1	15.005 1
48	Innensechskantschraube M 8 x 20	4	41.480
49	Kupferdichtung	4	41.500
51.1	Wellendichtung 25 x 35 x 5	1	41.019 5
52	Spannstift	1	14.148
53	Stufenkeil	1	41.183
54	Swash plate 13° please specify swash plate angle when ordering	1	41.028 6-13,0
55	Ölschauglas M 18 x 1,5	1	42.018 1
56	Flachdichtung	1	41.019 3
57	Deckel	1	40.518
58	Ölmeßstab	1	42.520 1
59	Innensechskantschraube M 5 x 12	4	41.019 4
60	O-Ring 14 x 2	2	43.445
61	Sicherungsring	4	40.054

Valve housing

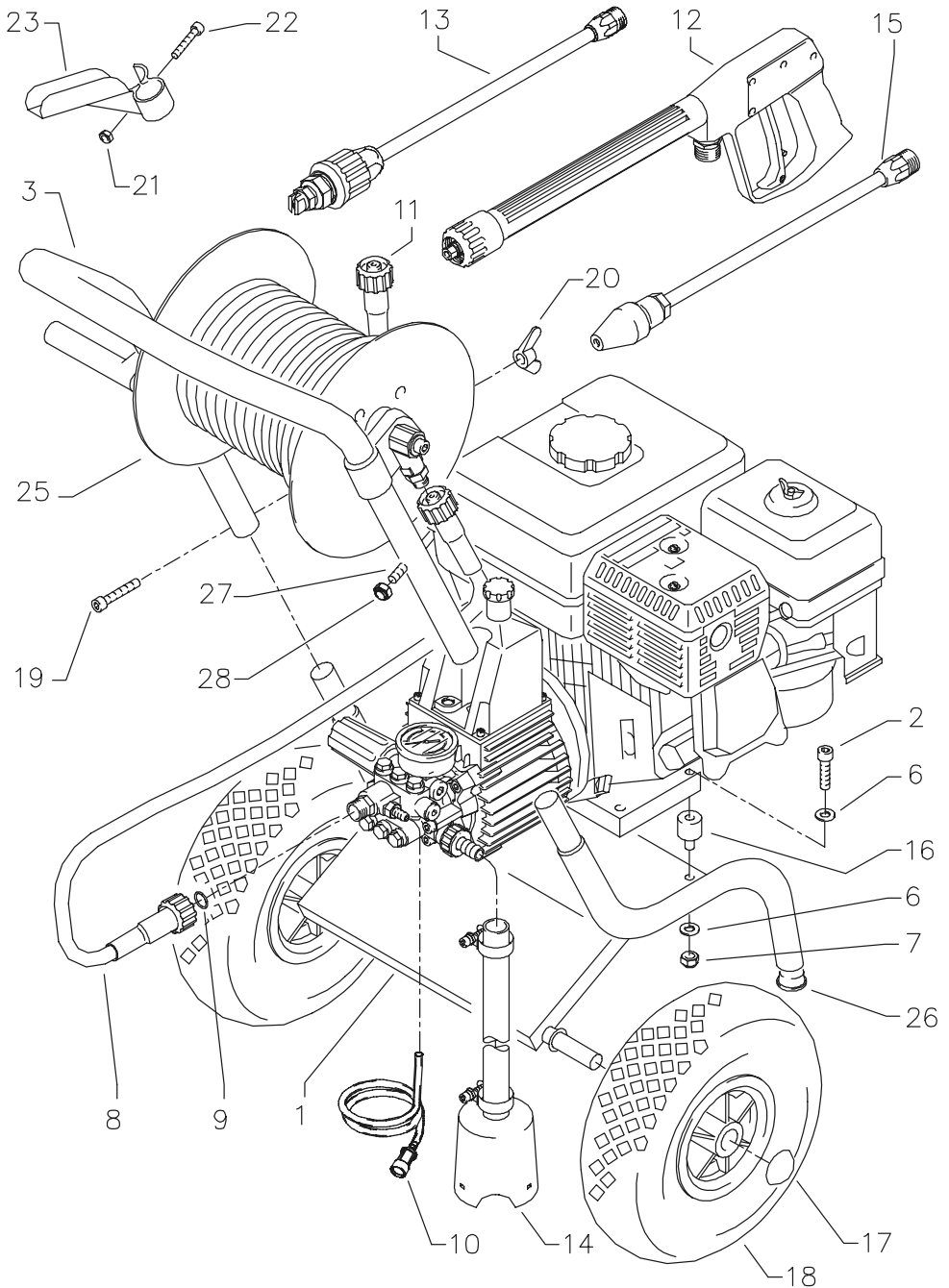


Kränzle B 10/200

Spare parts list Profi-Jet B 10 / 200 Valve housing APG 15 mm

No.	Description	Qty.	Ord.-No.	No.	Description	Qty.	Ord.-No.
1	Ventilgehäuse	1	42.900	32	Zwischenring 15 mm	3	42.904 1
2	Ventilstopfen	6	41.714	33	O-Ring 15 x 1,5	1	42.104
3	Dichtstopfen M 10 x 1	1	43.043	34	O-Ring 6 x 3	1	14.121
4	Ventile (grün) für APG-Pumpe	6	41.715 1	35	Rückschlagkörper	1	14.122
5	O-Ring 16 x 2	1	13.150	36	Rückschlagfeder	1	14.120
5.1	O-Ring 13,94 x 2,62	1	42.167	37	O-Ring 18 x 2	1	43.446
6	O-Ring 15 x 2	6	41.716	38	Ausgangsstück Injektor ST30 M22x1,5	1	43.447
7	Dichtstopfen R1/4" mit Bund	1	42.103	39	Saugzapfen Schlauchanschluss	1	13.236
8	O-Ring 11 x 1,44	1	12.256	40	Edelstahlkugel 5,5 mm	1	13.238
9	Edelstahlfeder	1	14.117	41	Edelstahlfeder	1	13.239
10	Sicherungsring	1	13.147	42	Kupferring	1	42.104
11	Edelstahlkugel 8,5 mm	1	13.148	43	Innensechskantschraube M 8 x 30	2	41.036 1
12	Edelstahlfeder	1	14.119	44	Innensechskantschraube M 8 x 55	2	41.017 1
13	Verschlusssschraube	1	14.113	46	Sauganschluss	1	41.016
14	Steuerkolben	1	14.134	47	Wasserfilter	1	41.046 2
15	Parbaks 16 mm	1	13.159	48	Gummi Dichttring	1	41.047 1
16	Parbaks 8 mm	1	14.123	49	Steckkupplung	1	41.047 2
17	Spannstift	1	14.148	50	O-Ring	1	41.047 3
18	Kolbenführung spezial	1	42.105	51	Aluminium-Dichttring	2	13.275
19	Mutter M 8 x 1	2	14.144	Repair kit Valves for APG-Pump			
20	Ventilfeder schwarz	1	14.125	consisting of 6x No. 4; 6x No. 5; 6x No. 6			
21	Federdruckscheibe	1	14.126	Repair kit sleeves 15 mm			
22	Nadellager	1	14.146	consisting of 3x No. 24; 3x No. 27;			
23	Handrad	1	14.147	3x No. 28; 6x No. 29; 6x No. 30			
24	Manschette Gewebe 15mm	3	42.902 1	Valve housing compl.			
25	Elastic-Stop-Mutter	1	14.152	with integr. ULH and pressure switch			
26	Manometer 0-250 bar	1	15.039	Piston valve compl. with Handwheel			
27	Stützring rot 15mm	3	42.913	42.912			
28	Manschette weich 15mm	3	42.902				
29	Backing 15 x 24	6	42.903				
30	O-Ring 28,3 x 1,78	3	40.026				
31	Leckagering 15 mm	3	42.905	43.444			

Complete Assembly

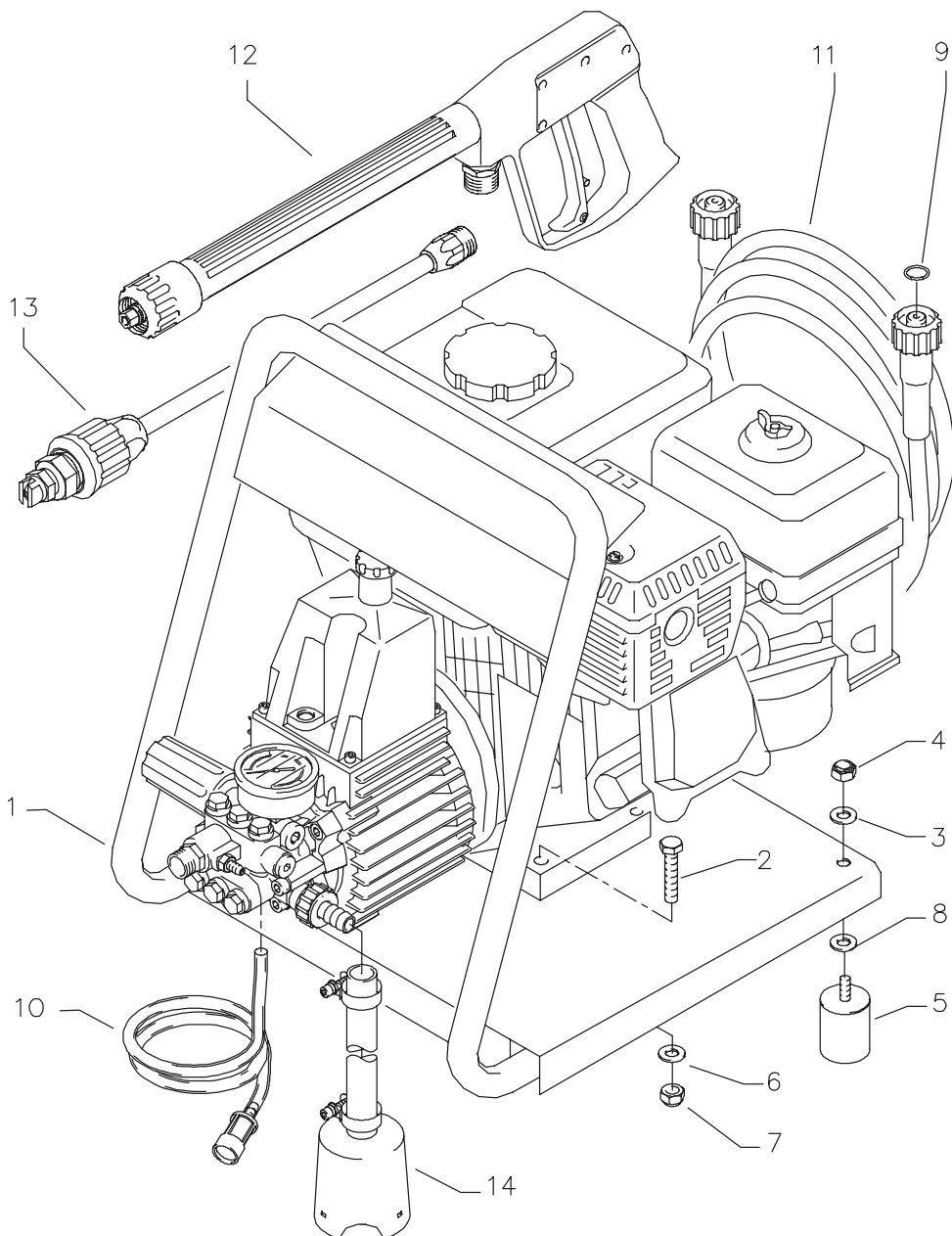


Kränzle B 13/150

Spare parts list Profi-Jet B 13/150 with undercarriage Complete Assembly

No.	Description	Qty.	Ord.-No.
1	Wagen	1	41.101 7
1a	Wagen kompl. (Pos. 1 + 3)	1	41.101 5
2	Sechskantschraube M 8 x 40	4	41.510
3	Schubbügel	1	41.101 3
6	Unterlegscheibe 8,4	8	41.515 6
7	Elastic-Stop-Mutter M 8	4	41.410
8	Hochdruckschlauch 1m / DN 8 - 210 bar	1	41.265
9	O-Ring 9,3 x 2,4	2	13.273
10	Chemiesieb mit 1,2 m PVC-Schlauch	1	15.038
11a	at unit with hose drum high pressure hose 20 m / DN 8 - 210 bar1		41.083
11b	at unit without hose drum high pressure hose 10 m / DN 6 - 210 bar1		43.416
12	Pistole mit Verlängerung	1	12.160
13	Lance with reg. nozzle 25055 prease specify size of nozzle	1	41.053 2
14	Saugschlauch 3 m mit Saugfilter	1	15.038 3
15	Schmutzkiller 055	1	41.072 6
16	Gummidämpfer	4	40.220
17	Starlock-Kappe	2	40.142
18	Rad luftbereift	2	40.141
19	Innensechskantschraube M 6 x 40	2	40.133
20	Flügelmutter M 6	2	40.132
21	Mutter M 6	1	14.127 1
22	Innensechskantschraube M 6 x 40	1	40.133
23	Pistolenhalterung	1	40.130
24	Schraube 2,9 x 19	2	15.024
25	Schlauchtrommel	1	41.259
26	Gummistopfen	2	40.208 1
27	Bügel	1	41.101 6
28	Elastic-Stop-Mutter M 8	2	41.514
	Motor Honda GX 160 CX		24.027
	Upgrade kit hose drum with 1 m HP-Connection hose with 20 m HP-hose		41.259 1

Complete Assembly

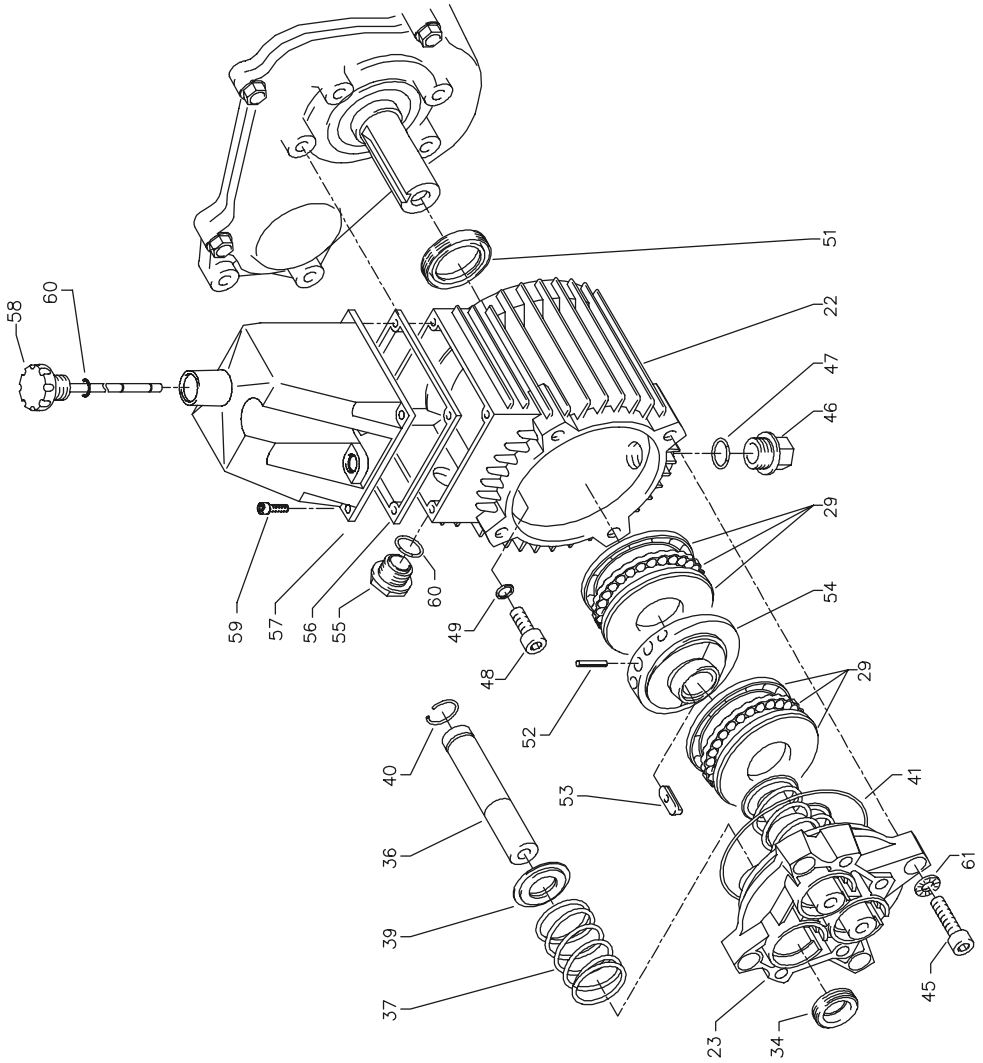


KRÄNZLE B 13/150

Spare parts list Profi-Jet B 13/150 portable Complete Assembly

No.	Description	Qty.	Ord.-No.
1	Tragbügel	1	41.098 3
2	Sechskantschraube M 8 x 40	4	41.510
3	Unterlegscheibe 6 mm	4	41.511
4	Elastic-Stop-Mutter M 6	4	14.152 1
5	GummifüÙe	4	41.513
6	Unterlegscheiben 8 mm	4	41.515
7	Elastic-Stop-Mutter M 8	4	41.410
8	Unterlegscheiben 6 mm (groÙ)	16	41.516
9	O-Ring 9,3 x 2,4	2	13.273
10	Chemiesieb mit 1,2 m PVC-Schlauch	1	15.038
11	Hochdruckschlauch 10 m / DN 6 - 210 bar1		43.416
12	Pistole mit Verlängerung	1	12.160
13	Lanze mit Regeldüse 25055 prease specify size of nozzle	1	41.053 2
14	Saugschlauch 3 m mit Saugfilter	1	15.038 3
	Motor Honda GX 160 CX		24.027

Transmission unit

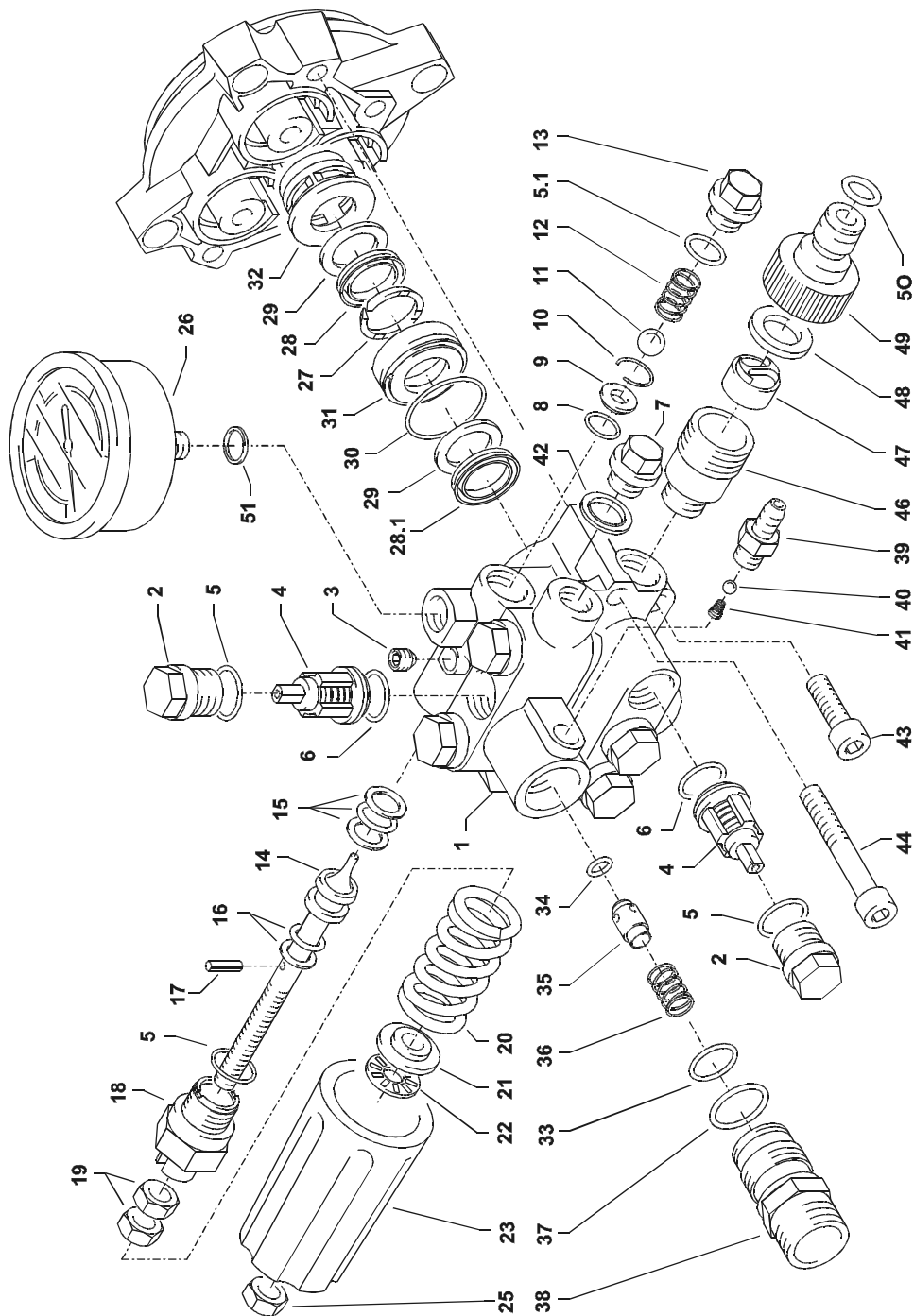


KRÄNZLE B 13/150

Spare parts list Profi-Jet B 13/150 Antrieb

No.	Description	Qty.	Ord.-No.
22	Getriebegehäuse	1	41.481 1
23	Gehäuseplatte 18 mm	1	41.020 2
29	Axial-Rillenkugellager 3-teilig	2	43.486
34	Öldichtung 18 x 28 x 7	3	41.031
36	Plunger 18 mm	3	41.032 1
37	Plungerfeder	3	41.033
39	Federdruckscheibe 18 mm	3	41.034
40	Sprengling 18 mm	3	41.035
41	O-Ring Viton 88 x 2	1	41.021 1
45.1	Innensechskantschraube M 8 x 30	4	41.036 1
46	Ölablaßschraube M 18 x 1,5	1	41.011
47	O-Ring 12 x 2	1	15.005 1
48	Innensechskantschraube M 8 x 20	4	41.480
49	Kupferdichtung	4	41.500
51.1	Wellendichtung 25 x 35 x 5	1	41.019 5
52	Spannstift	1	14.148
53	Stufenkeil	1	41.183
54	Taumscheibe 11,5° please specify swashplate angle when ordering	1	41.028 6-11,5
55	Ölschauglas M 18 x 1,5	1	42.018 1
56	Flachdichtung	1	41.019 3
57	Deckel	1	40.518
58	Ölmeßstab	1	42.520 1
59	Innensechskantschraube M 5 x 12	4	41.019 4
60	O-Ring 14 x 2	2	43.445
61	Sicherungsring	4	40.054
Motor Honda GX 160			24.027

Valve housing

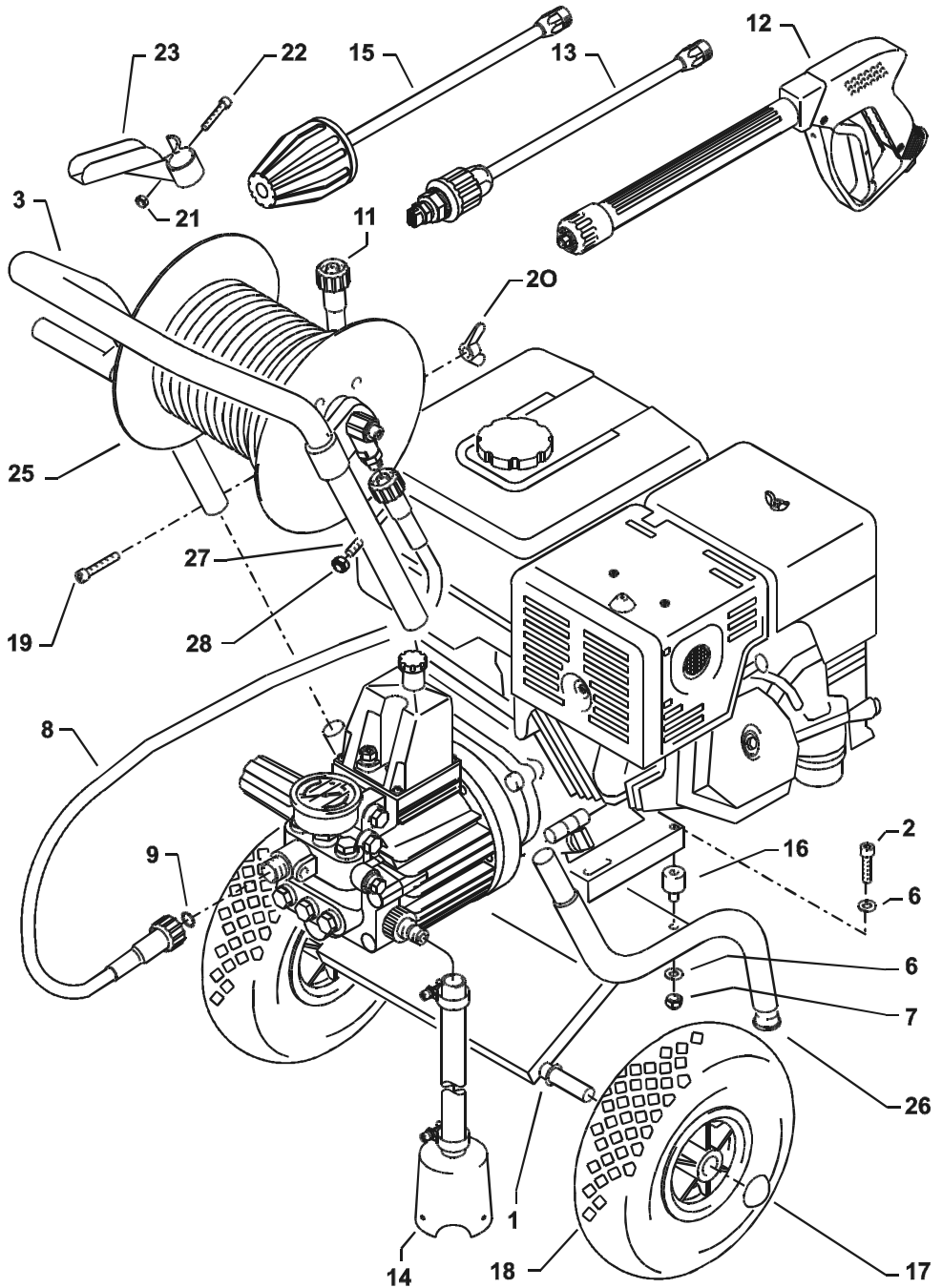


KRÄNZLE B 13/150

Spare parts list Profi-Jet B 13/150 Valve housing APG 18 mm

No.	Description	Qty.	Ord.-No.	No.	Description	Qty.	Ord.-No.
1	Ventilgehäuse	1	43.435	32	Zwischenring 18 mm	3	41.015.2
2	Ventilstopfen	6	41.714	33	O-Ring 15 x 1,5	1	42.104
3	Dichtstopfen M10 x 1	1	43.043	34	O-Ring 6 x 3	1	14.121
4	Ventile (grün) für APG-Pumpe	6	41.715.1	35	Rückschlagkörper	1	14.122
5	O-Ring 16 x 2	7	13.150	36	Rückschlagfeder	1	14.120
5.1	O-Ring 13,94 x 2,62	1	42.167	37	O-Ring 18 x 2	1	43.446
6	O-Ring 15 x 2	6	41.716	38	Ausgangsstück Injektor ST30 M22x1,5	1	43.447
7	Dichtstopfen R1/4" mit Bund	1	42.103	39	Saugzapfen Schlauchanschluss	1	13.236
8	O-Ring 11 x 1,44	1	12.256	40	Edelstahlkugel 5,5 mm	1	13.238
9	Edelstahlsitz	1	14.118	41	Edelstahlfeder	1	13.239
10	Sicherungsring	1	13.147	42	Kupferring	1	42.104
11	Edelstahlkugel 8,5 mm	1	13.148	43	Innensechskantschraube M 8 x 30	2	41.036.1
12	Edelstahlfeder	1	14.119	44	Innensechskantschraube M 8 x 55	2	41.017.1
13	Verschlusssschraube	1	14.113	46	Sauganschluss	1	41.016
14	Steuerkolben	1	14.134	47	Wasserfilter	1	41.046.2
15	Parbaks 16 mm	1	13.159	48	Gummi Dichttring	1	41.047.1
16	Parbaks 8 mm	1	14.123	49	Steckkupplung	1	41.047.2
17	Spannstift	1	14.148	50	O-Ring	1	41.047.3
18	Kolbenführung spezial	1	42.105	51	Aluminium-Dichttring	2	13.275
19	Mutter M 8 x 1	2	14.144	Repair kit Valves for APG-Pump			
20	Ventilfeder schwarz	1	14.125	consisting of 6x No. 4; 6x No. 5; 6x No. 6			
21	Federdruckscheibe	1	14.126	Repair kit sleeves 18 mm			
22	Nadellager	1	14.146	consisting of 3x No. 27; 3x No. 28;			
23	Handrad	1	14.147	3x No. 28.1; 6x No. 29; 6x No. 30			
25	Elastic-Stop-Mutter	1	14.152	Valvehousing compl.			
26	Manometer 0-250 bar	1	15.039	with integr. ULH			
27	Druckring	3	41.018	Piston valve compl. with handwheel			
28	Manschette 18 x 26 x 4/2	3	41.013	43.442			
28.1	Gewebemanschette 18 x 26 x 4/2	3	41.013.1				
29	Backing 18 x 26	6	41.014				
30	O-Ring 28,3 x 1,78	3	40.026				
31	Leckagering 18 mm	3	41.066				

Complete Assembly

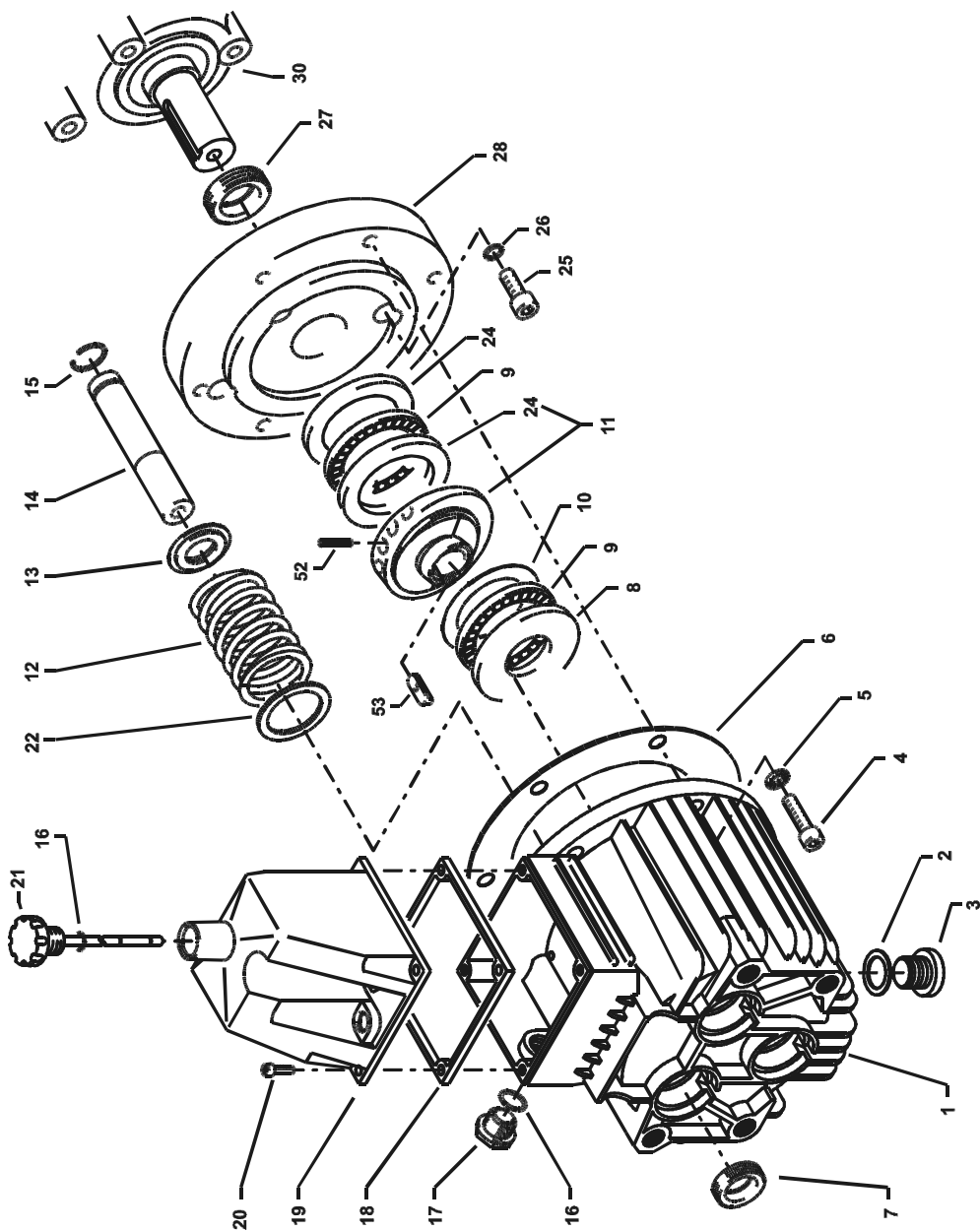


KRÄNZLE B 16/220

Spare parts list Profi-Jet B 16/220 with undercarriage Complete Assembly

No.	Description	Qty.	Ord.-No.
1	Wagen	1	41.101 7
1a	Wagen kompl. (Pos. 1 + 3)	1	41.101 5
2	Sechskantschraube M 8 x 30	2	40.221
2.1	Sechskantschraube M 8 x 35	2	44.033 3
3	Schubbügel	1	41.101 6
6	Unterlegscheibe 8,4 DIN 125	8	41.515
7	Elastic-Stop-Mutter M 8	4	41.410
8	Hochdruckschlauch 1m / DN 8 - 210 bar	1	41.265
9	O-Ring 9,3 x 2,4	3	13.273
11a	bei Gerät mit Schlauchtrommel Hochdruckschlauch 15 m / DN 8 - 210 bar	1	41.083
11b	bei Gerät ohne Schlauchtrommel Hochdruckschlauch 10 m / DN 8 -210 bar	1	41.082
12	Starlett II mit ISO-Handgriff	1	12.320 2
13	Lanze mit Regeldüse 25055 (B16/220)	1	41.053 2
13.1	Lanze mit Regeldüse 25045 (B16/250) bitte Düsengröße mit angeben	1	41.053 2
14	Saugschlauch 3 m mit Saugfilter	1	15.038 3
15	Turbokiller 055 (B16/220)	1	41.072 4
15.1	Turbokiller 045 /B16/250)	1	41.072 3
16	Gummidämpfer	4	40.220
17	Starlock-Kappe	2	40.142
18	Rad luftbereift	2	40.141
19	Sechskantschraube M 6 x 40	2	40.133
20	Flügelmutter M 6	2	40.132
21	Mutter M 6	1	14.127 1
22	Innensechskantschraube M 6 x 35	1	40.131
23	Pistolenablage	1	40.130
24	Schraube 2,9 x 19	2	15.024
25	Schlauchtrommel kpl. ohne Schlauch	1	41.259
26	Gummistopfen	2	40.208 1
27	Bügel	1	41.101 6
28	Elastic-Stop-Mutter M 8	2	41.514
	Speedcontrol with 1m Bowden cable	1	40.255 1
	Motor Honda GX 340		24.026
	AQ-Pump compl.		40.265
	Upgrade kit hose drum		41.259 1
	with 1 m HP-Connection hose		
	with 20 m HP-hose		

Transmission unit

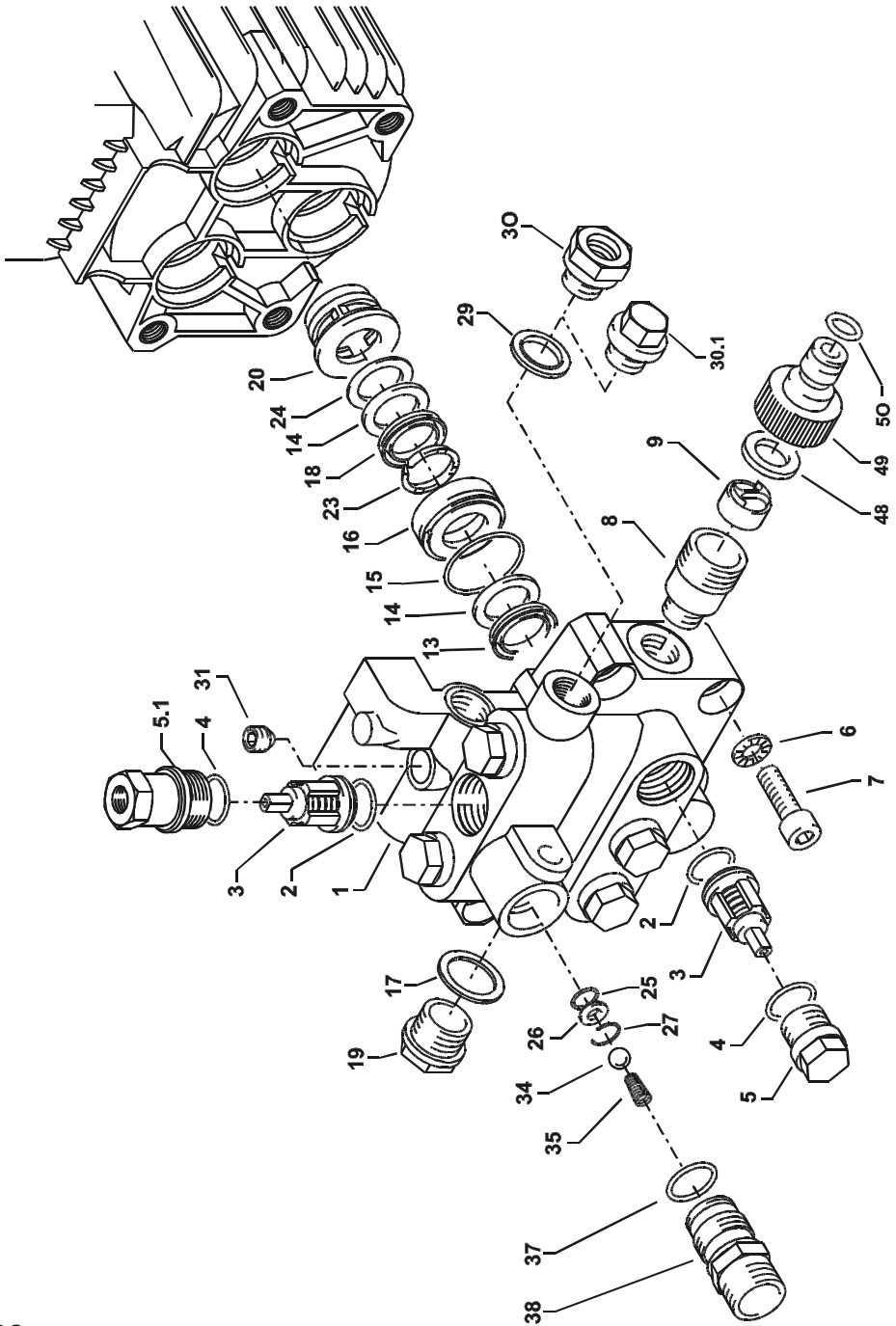


KRÄNZLE B 16/220

Spare parts list Profi-Jet B 16/220 Transmission unit AQ-Pump

No.	Description	Qty.	Ord.-No.
1	Ölgehäuse	1	40.501
2	Cu-Dichtring	1	40.052
3	Ölablassschraube	1	40.051
4	Innensechskantschraube M 8 x 25	6	40.053
5	Sicherungsscheibe	6	40.054
6	Flachdichtung	1	40.511
7	Öldichtung 20 x 30 x 7	3	40.044 1
8	Wellenscheibe	1	40.043
9	Axial-Rollenkäfig	1	40.040
10	AS-Scheibe	1	40.041
11	Taumscheibe 8,0°	1	40.055-8,0
12	Plungerfeder	3	40.506
13	Federdruckscheibe	3	40.510
14	Plunger 20 mm (lang)	3	40.505
15	Sprengring	3	40.048
16	O-Ring 14 x 2	2	43.445
17	Ölschauglas M 18 x 1,5	1	42.018
18	Flachdichtung	1	41.019 3
19	Deckel Ölgehäuse	1	40.518
20	Innensechskantschraube M 5 x 12	4	41.019 4
21	Ölmesstab	1	42.520
22	Stützscheibe	3	40.513
24	Gehäusescheibe	2	40.039
25	Innensechskantschraube M 8 x 30	4	41.036 1
26	Kupfer-Dichtring	4	41.500
27	Dichtring 30 x 42 x 7	1	40.224
28	Flansch für B 16/220	1	40.223
30	Motor Honda GX 340	1	24.026
52	Spannstift	1	14.148
53	Stufenkeil	1	40.222

Valve housing

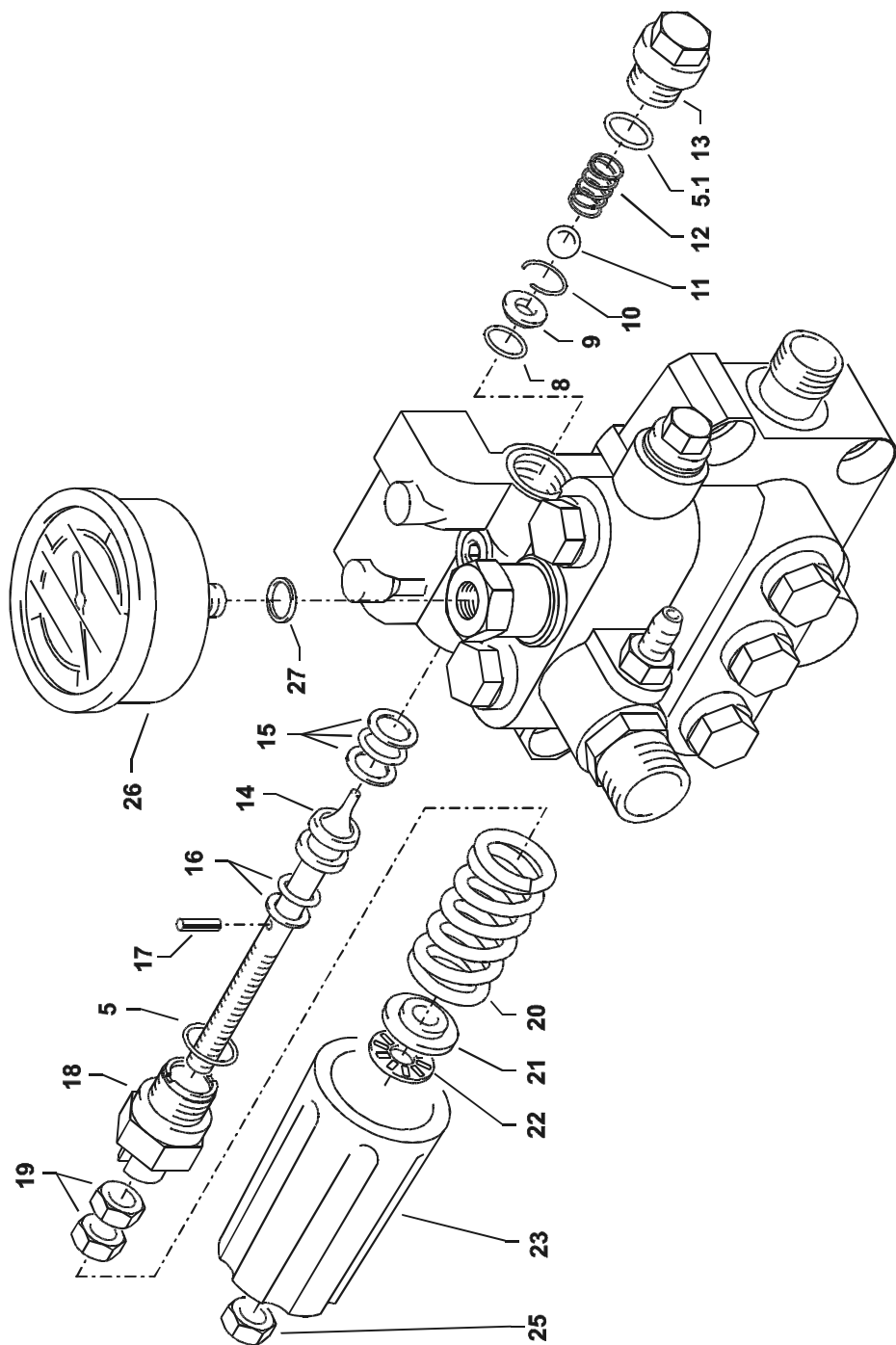


KRÄNZLE B 16/220

Spare parts list Profi-Jet B 16/220 Valve housing AQ-Pump

No.	Description	Qty.	Ord.-No.	No.	Description	Qty.	Ord.-No.
1	Ventilgehäuse AQ mit integr. UL ohne integr. Druckschalter	1	40.521	31	Dichtstopfen M 10 x 1	1	43.043
2	O-Ring 18 x 2	6	40.016	34	Edelstahlkugel Ø10	1	12.122
3	Einlass- / Auslass- Ventil	6	42.024	35	Rückschlagfeder „K“	1	14.120 1
4	O-Ring 21 x 2	6	42.025	37	O-Ring 18 x 2	1	43.446
5	Ventilstopfen	5	42.026	38	Ausgangsstück Injektor ST30 M22x1,5	1	43.447
5.1	Ventilstopfen mit R 1/4" IG	4	42.026 2	48	Gummidichtung für Steckkupplung	1	41.047 1
6	Sicherungsring	4	40.032	49.1	Steckkupplung für Wassereingang	1	41.047 2
7	Innensechskantschraube M 12 x 45	4	40.504		Steckkupplung kpl.		41.047 4
8	Sauganschluss R 1/2" AG	1	41.016 1		Pos. 48 - 50		
9	WassereingangsfILTER	1	41.046 2	50	O-Ring	1	41.047 3
13	Gewebemanschette	3	40.023		Repair kit sleeves		40.065 1
14	Backring 20 mm	6	40.025		consisting of: 3x No. 13; 6x No. 14;		
15	O-Ring 31,42 x 2,62	3	40.508		3x No. 15; 3x No. 16; 3x No. 18;		
16	Leckagering 20 x 36 x 13,3	3	40.509		3x No. 20; 3x No. 23		
17	Cur-Dichting 21 x 28 x 1,5	1	42.039		Repair kit sleeves without brassparts		40.517
18	Gummimanschette	3	40.512		consisting of:		
19	Verschlusssschraube R 1/2"	1	42.032		3x No. 13; 6x No. 14; 3x No. 15;		
20	Distanzring mit Abstützung	3	40.507		3x No. 18; 3x No. 23		
23	Druckring 20 mm	3	40.021		Repair kit Valves		40.062 1
24	Zwischenring 20 mm	3	40.516		consisting of:		
25	O-Ring 11 x 1,5	1	12.256		6x No. 2; 6x No. 3; 6x No. 4		
26	Edelstahlsitz Ø 7	1	14.118				
27	Sprengring	1	13.147				
29	Dichting 17 x 22 x 1,5 (Kupfer)	1	40.019				
30	Anschlussmuffe 3/8" AG x 3/8" IG bei Ausführung mit Drehzahlregulierung	1	13.136				
30.1	Verschlusssschraube 3/8" AG bei Ausführung ohne Drehzahlregulierung	1	40.018				

Unloadervalue

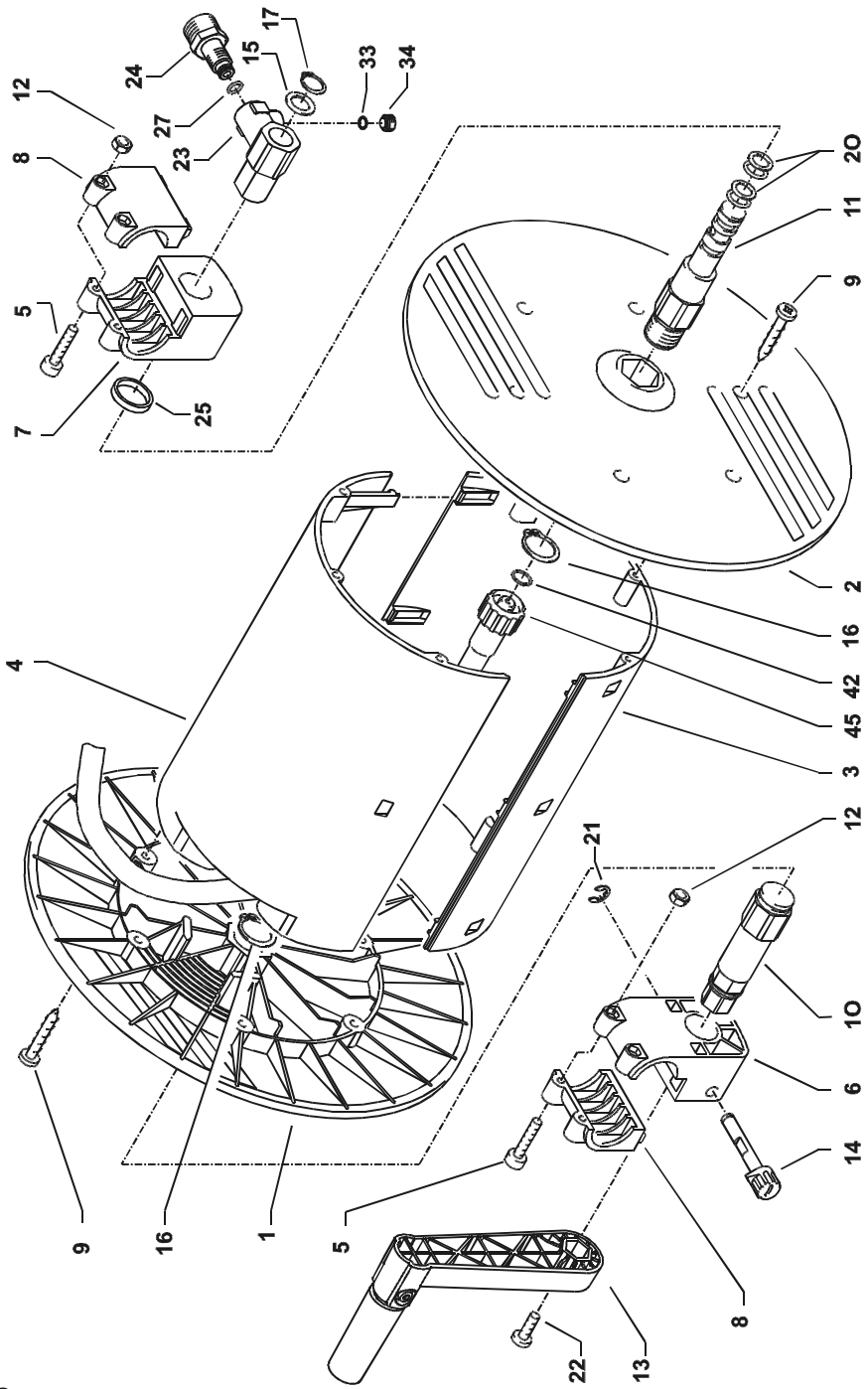


KRÄNZLE B 16/220

Spare parts list Profi-Jet B 16/220 Unloader valve AQ-Pump

No.	Description	Qty.	Ord.-No.
5	O-Ring 16 x 2	1	13.150
5.1	O-Ring 13,94 x 2,62	1	42.167
8	O-Ring 11 x 1,44	1	12.256
9	Edelstahlsitz	1	14.118
10	Sicherungsring	1	13.147
11	Edelstahlkugel	1	13.148
12	Edelstahlfeder	1	14.119
13	Verschlusschraube	1	14.113
14	Steuerkolben	1	14.134
15	Parbaks 16 mm	1	13.159
16	Parbaks 8 mm	1	14.123
17	Spanstift	1	14.148
18	Kolbenführung spezial	1	42.105
19	Kontermutter M 8 x 1	2	14.144
20	Ventilfeder schwarz	1	14.125
21	Federdruckscheibe	1	14.126
22	Nadellager	1	14.146
23	Handrad	1	14.147
25	Elastic-Stop-Mutter M 8 x 1	1	14.152
26	Manometer 0-400 Bar	1	15.039 4
27	Aluminium-Dichtring	2	13.275

Hose drum

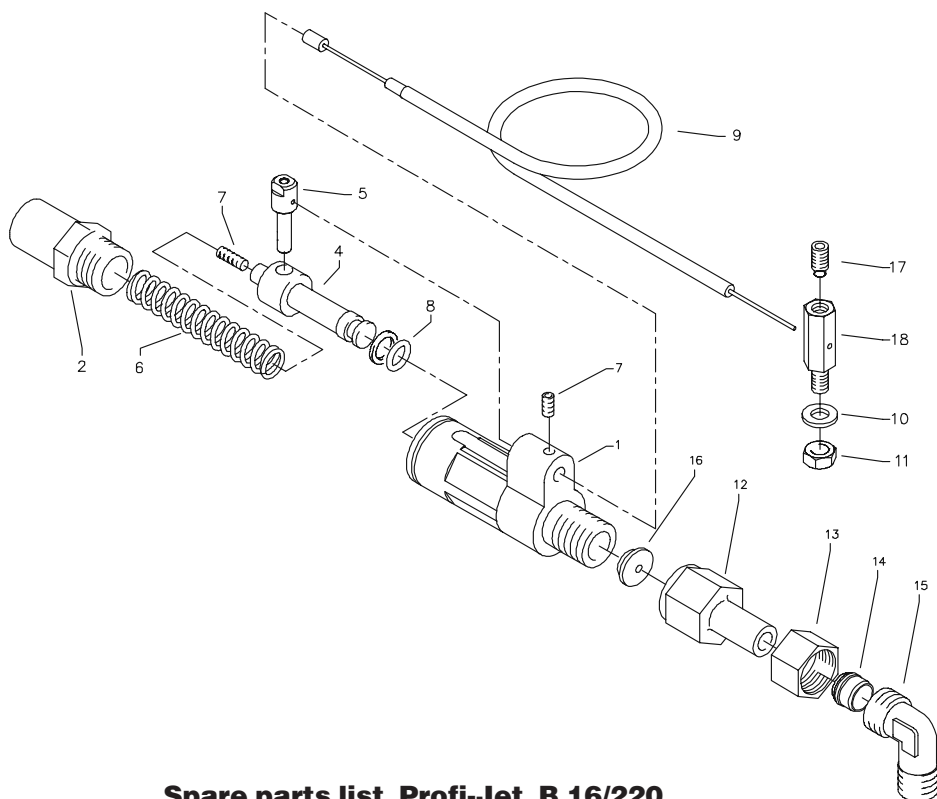


KRÄNZLE B 13/150 B 16/220

Spare parts list Profi-Jet B 13/150; B 16/220 Hose Drum

No.	Description	Qty.	Ord.-No.	No.	Description	Qty.	Ord.-No.
1	Seitenschale Schlauchführung	1	40.302	21	Sicherungsscheibe 6 DIN6799	1	40.315
2	Seitenschale Wasserführung	1	40.301	22	Schraube M 5 x 10	1	43.021
3	Trommel Unterteil	1	40.304	23	Drehgelenk	1	40.167
4	Trommel Oberteil	1	40.303	24	Anschlußteil	1	40.308 1
5	Innensechskantschraube M 4 x 30	4	40.236	25	Distanzring	1	40.316
6	Lagerklotz mit Bremse	1	40.306	27	O-Ring 6,68 x 1,78	1	40.585
7	Lagerklotz links	1	40.305	33	O-Ring 6 x 1,5	1	13.386
8	Klemmstück	2	40.307	34	Stopfen M 10 x 1	1	13.385
9	Kunststoffschraube 5,0 x 20	12	50.157	42	O-Ring 9,3 x 2,4	4	13.273
10	Antriebswelle	1	40.310	45	Hochdruckschlauch 20 m NW 8	1	41.083
11	Welle Wasserführung	1	40.311		Hose Drum kpl. without Schlauch		41.259 0
12	Elastic-Stop-Mutter M 4	4	40.111				
13	Handkurbel	1	40.320 0				
14	Verriegelungsbolzen	1	40.312				
15	Scheibe MS 16 x 24 x 2	1	40.181		Hose Drum kpl. with Schlauch		41.259 1
16	Wellensicherungsring 22 mm	2	40.117				
17	Wellensicherungsring 16 mm	1	40.182				
20	Parbaks 16 mm	2	13.159		Kurbel kpl. Pos. 51 - 57		40.309 9

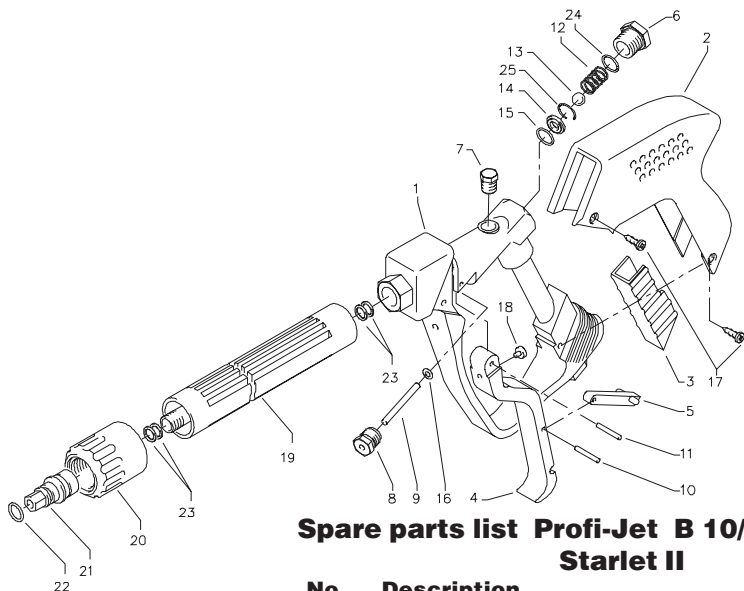
Speed control



Spare parts list Profi-Jet B 16/220 Speed control

No.	Description	Qty.	Ord.-No.
1	Grundteil	1	42.581
2	Druckhülse	1	42.584
4	Steuerkolben	1	42.582
5	Querbolzen	1	42.583
6	Druckfeder 2,0 x 9,5 x 70	1	42.587
7	Gewindestift M4 x 6 DIN 913-A2	1	42.592
8	Parbaks 7 mm	1	15.013
9	Bowdenzug	1	42.586
10	Unterlegscheibe 6,4 DIN 125	1	50.189
11	Sechskantmutter M6	1	14.152 1
12	Anschlussmuffe Drehzahlregulierung	1	42.585
13	Überwurfmutter	1	40.075
14	Klemmhülse	1	40.074
15	Winkelverschraubung 3/8"x 12l	1	44.092
16	Drosselscheibe	1	42.589
17	Gewindestift M 6 x 12 DIN915	1	42.590
18	Klemmbolzen	1	42.591

Starlet II - Pistole



Spare parts list Profi-Jet B 10/200; B 16/220 Starlet II

No.	Description	Qty.	Ord.-No.
1	Ventilkörper mit Handgriff	1	12.294
2	Schutzhülse	1	12.295
3	Abdeckschutz	1	12.296
4	Betätigungshebel	1	12.298
5	Sicherungshebel	1	12.149
6	Abschlußschraube M 16 x 1	1	12.247
7	Stopfen	1	12.287
8	Gewindeführungshülse R 1/4" AG	1	12.250
9	Aufsteuerbolzen	1	12.284
10	Stift	1	12.148
11	Lagernadel	1	12.253
12	Edelstahlfeder	1	12.246
13	Edelstahlkugel	1	12.245
14	Edelstahlsitz	1	13.146
15	O-Ring 11 x 1,44	1	12.256
16	O-Ring 3,3 x 2,4	1	12.136
17	Blechschrabe 3,9 x 8	4	12.297
18	Druckstück	1	12.252
19	Rohr kunststoffumspritzt bds. R 1/4" AG	1	15.004 5
20	Überwurfmutter ST30 M 22 x 1,5 IG	1	13.276 1
21	Außen-Sechskant-Nippel R 1/4" IG	1	13.277 1
22	O-Ring 9,3 x 2,4	1	13.273
23	Aluminium-Dichtring	4	13.275
24	O-Ring 15 x 1,5	1	12.129 1
25	Sicherungsring	1	12.258

Starlet - Gun with extention

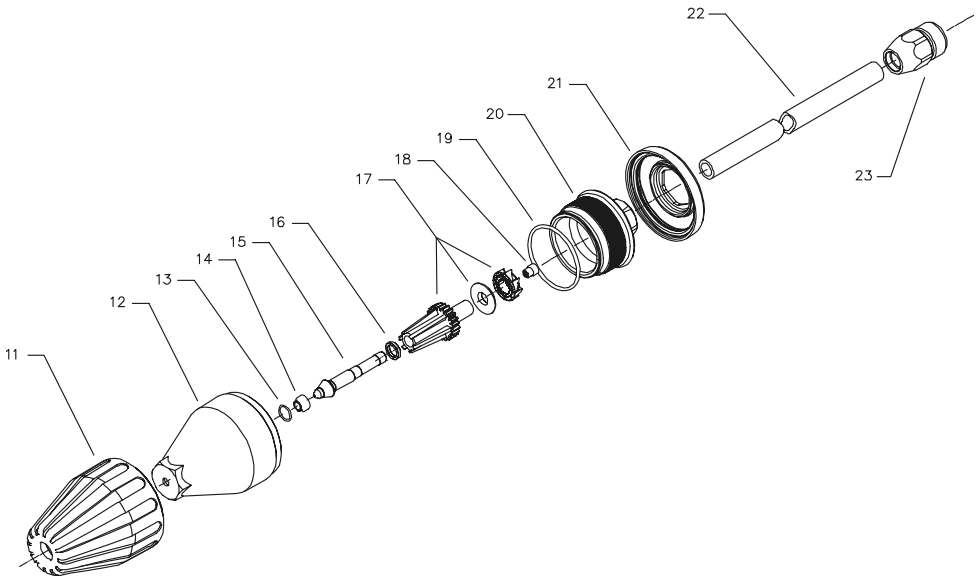
12.320 2

Repair kit "Starlet II"

12.299

consisting of No. 9,10,13,14,15

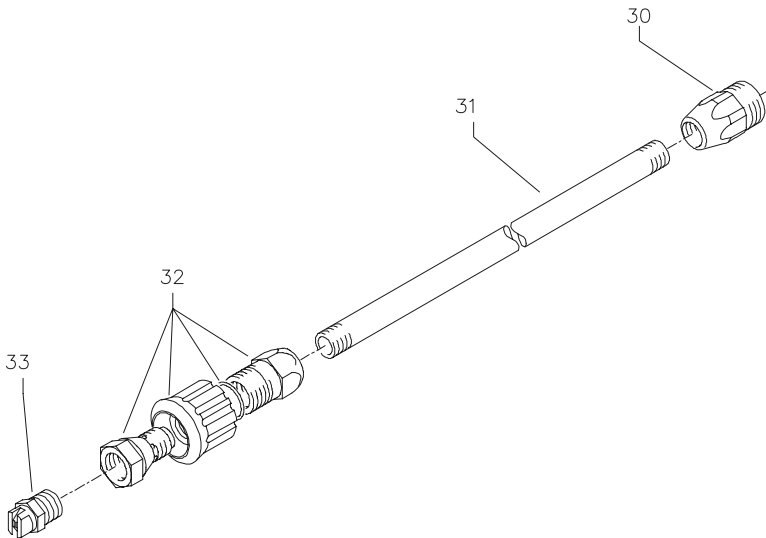
Turbokiller



Spare parts list Profi-Jet B 16/220 Turbokiller 055

No.	Description	Qty.	Ord.-No.
11	Sprühkörperschutz	1	41.528
12	Sprühkörper	1	41.529
13	O-Ring 6,88 x 1,68	1	41.521
14	Düsensitz	1	41.522
15	Düse 055	1	41.532
16	Ring	1	41.533
17	Rotor	1	41.534
18	Stabilisator	1	41.524
19	O-Ring 41 x 1,78	1	41.538
20	Deckel	1	41.539
21	Deckelschutz	1	41.540
22	Rohr 500 mm lang; bds. R1/4"	1	12.385 1
23	Nippel M22x1,5 x R1/4" IG	1	13.370
	Turbokiller 055 compl. with Lance		41.072 4
	Rep. kit Turbokiller 055		41.097 1

Standard regulation nozzle

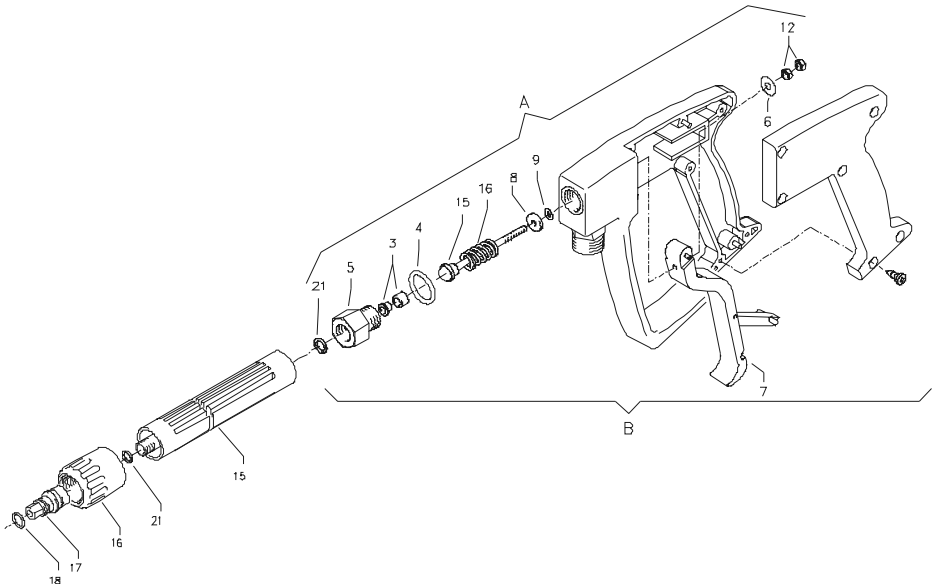


Spare parts list Profi-Jet B 13/150; B 16/220 Standard reg. nozzle

No.	Description	Qty.	Ord.-No.
30	Nippel ST30 M22x1,5 AG / M 12 x 1	1	13.363
31	Rohr 400 mm, bds. M 12 x 1	1	15.002
32	Regeldüse mit Reguliererring	1	13.201 2
33	Flat spray nozzle 2505	1	26.001

Please specify size of nozzle

MIDI - Gun



Spare parts list Profi-Jet B 13/150 Midi-Gun

No.	Description	Qty.	Ord.-No.
5	Rohranschlußteil R1/4" incl. Pos. 3, 4, 21	1	12.125
6	Scheibe 5,3 DIN9021	1	50.152
7	Abzug-Hebel kpl.	1	12.144 1
15	Rohr kunststoffumspritzt bds. R 1/4" AG	1	15.004 2
16	Überwurfmutter ST 30 M22 x 1,5 IG	1	13.276 1
17	Außen-Sechskant-Nippel R 1/4" IG	1	13.277 1
18	O-Ring 9,3 x 2,4	1	13.273
28	Aluminium Dichtring	6	13.275

Midi-Gun with extention

12.160

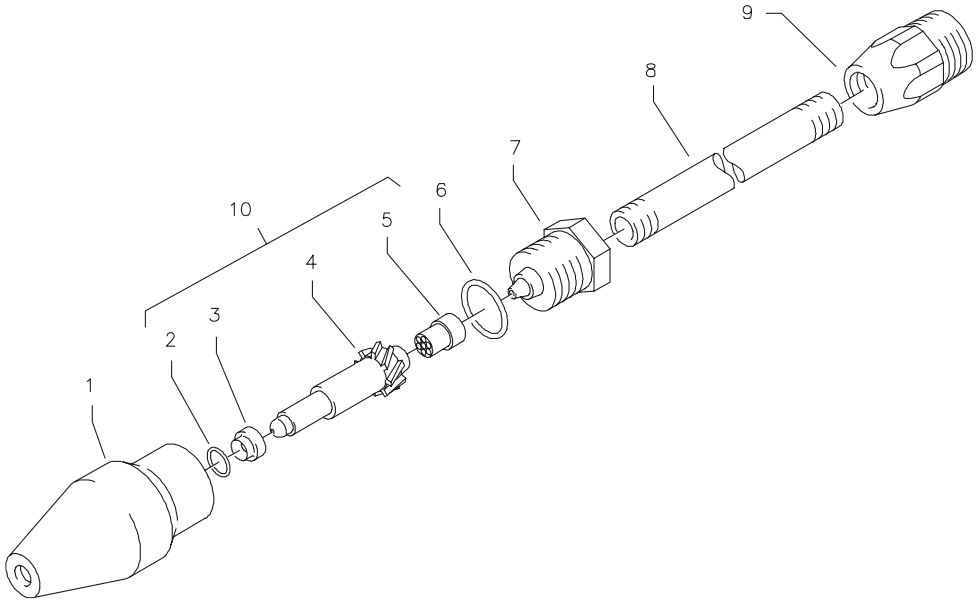
Repair kit "Pico"

12.158

consisting of 1x No.:

3.1, 3a, 3b, 4, 8, 9, 12, 21, 22

Dirtkiller



Spare parts list Profi-Jet B 10/200; B 13/150 Dirtkiller

No.	Description	Qty.	Ord.-No.
1	Sprühkörper	1	41.520
2	O-Ring 6,88 x 1,68	1	41.521
3	Düsensitz	1	41.522
4	Düse 045 (B13/150)	1	41.523
4.1	Düse 03 (B 10/200)	1	41.523 4
5	Stabilisator	1	41.524
6	O-Ring	1	40.016 1
7	Sprühstopfen	1	41.526
8	Rohr 400 mm 2x M 12 x 1	1	41.527
9	ST 30-Nippel M 22 x 1,5 / M 12 x 1 ISK	1	13.363

Repair kit Dirtkiller 045 (B13/150) **41.097**
consisting of No. 2; 3; 4; 5

Repair kit Dirtkiller 03 (B13/150) **41.096 1**
consisting of No. 2; 3; 4.1; 5

Dirtkiller 045 with Lance (B13/150) **41.072 5**
Dirtkiller 03 with Lance (B10/200) **41.073 8**

Inspirection report

for KRÄNZLE - High Pressure Cleaners

Regular inspection every 12 months if used professionally!

Appliance No:

Type:

The following must be checked:

1. Safety features

- a) Manometer
- b) Safety valve (pressure control)
- c) Operating pressure
- d) Cut out pressure (max. 10% above operating pressure)
- e) Low pressure with trigger released

2. General condition

- a) High pressure hose
- b) Spray gun
- c) Motor
- d) Oil level

The information in the operating instructions are a part of the inspection

Result of inspection:	Date of inspection:	Faults rectified, Stamp and signature
<input type="text"/>	<input type="text"/>	<input type="text"/>
<input type="text"/>	<input type="text"/>	<input type="text"/>
<input type="text"/>	<input type="text"/>	<input type="text"/>

Excerpt from the Guidelines for Liquid Spray Equipment (ZH 1/46) by the Central Office of the Professional Trade Association.

Inspection:

Liquid spray equipment should be inspected for safe operation by a qualified person whenever necessary, but no less than every 12 months. The maker's or supplier's instructions must be followed. The inspection intervals may be extended if the equipment is not in active use.

In Germany, inspections compliant with the (German) Emission Controls Act may be required for oil and gas-fired equipment, and the owner must arrange for these to be carried out independently of the main inspection.

The results of inspections must be recorded in writing and presented to the respective authorities on demand. There is no set form for these records.

