

SOLA-TECS C

SPARE PARTS LIST | SPARE PARTS LIST
EL 0305226 R00 2023-03



SOLA-TECS C - AL3

Please note your SOLA-TECS C version
Please note your SOLA-TECS C version



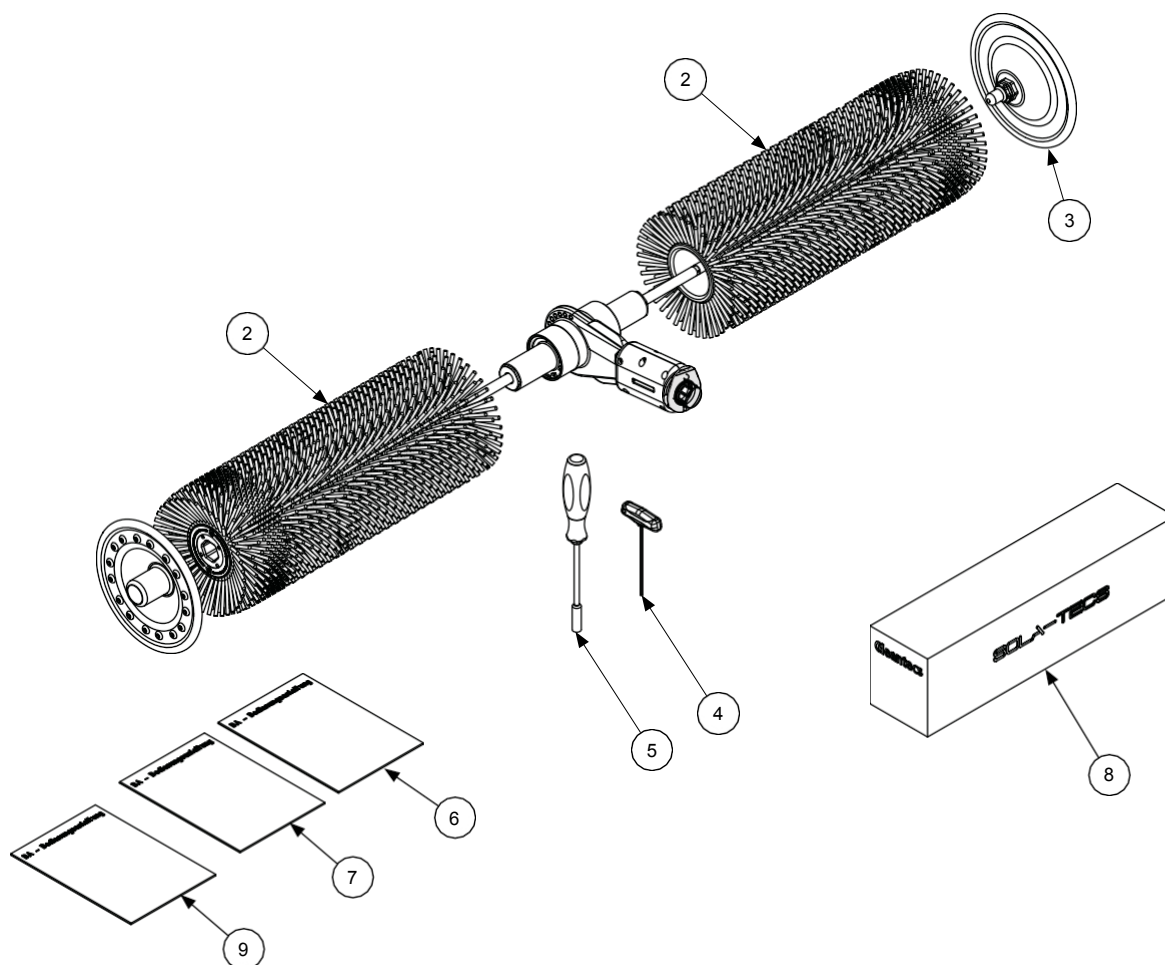
Picture without brushes. | Picture without brushes.

MADE
IN
GERMANY

Cleantecs

COMPLETE DEVICE
FOR SOLA-TECS C - AL3

COMPLETE ASSEMBLY
FOR SOLA-TECS C - AL3

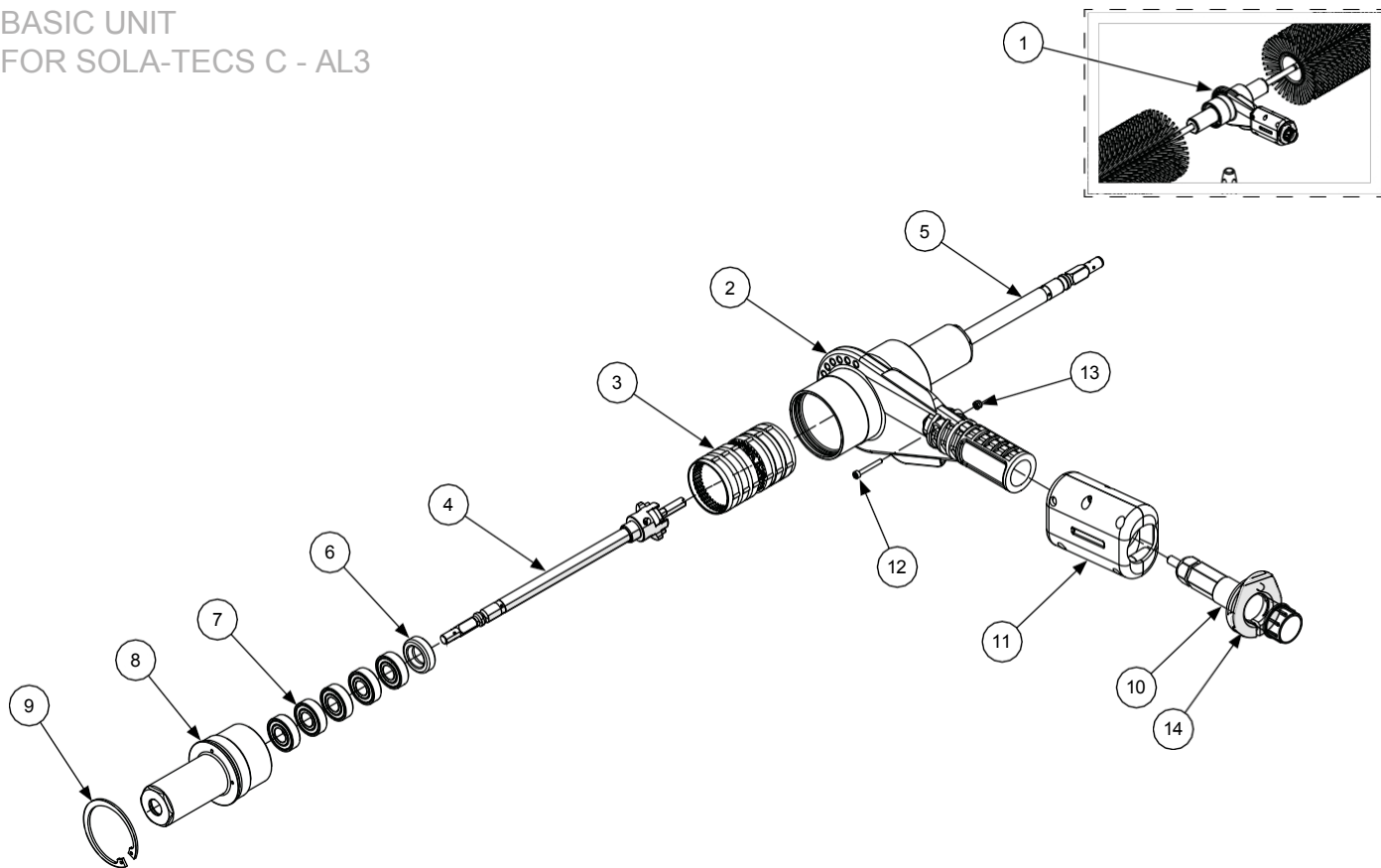


Pos. pos.	Item no. Item no.	Description Description	PU PU	Anzal Qty.
1	0201817	Basic unit - SOLA-TECS C - AL3	1 pc. pcs	
2	0200947	Brush set - SOLA-TECS C600	1 pc. pcs	
	0200951	Brush set - SOLA-TECS C800	1 pc. pcs	
	0200952	Brush set - SOLA-TECS C1000	1 pc. pcs	
3	0200241	Transport cap - SOLA-TECS C	1 pc. pcs	
4	0755010	Hexagon head screwdriver with cross handle SW 2.5	1 pc. pcs	
5	0755009	Socket spanner with long handle SW 8	1 pc. pcs	
6	0303155	Operating instructions SOLA-TECS C - 2010	1 pc. pcs	
7	0303788	Operating instructions SOLA-TECS C - 2010 - en	1 pc. pcs	
8	0720021	Packaging cardboard - SOLA-TECS C	1 pc. pcs	
9	0304282	Brochure SOLA-TECS C German (dealer PU 50 pieces)	1 pc. pcs	
	0304283	Brochure SOLA-TECS C english (dealer VE 50 piece)	1 pc. pcs	

VE= Packaging unit PU
= Packaging Unit

**BASIC DEVICE
FOR SOLA-TECS C - AL3**

**BASIC UNIT
FOR SOLA-TECS C - AL3**

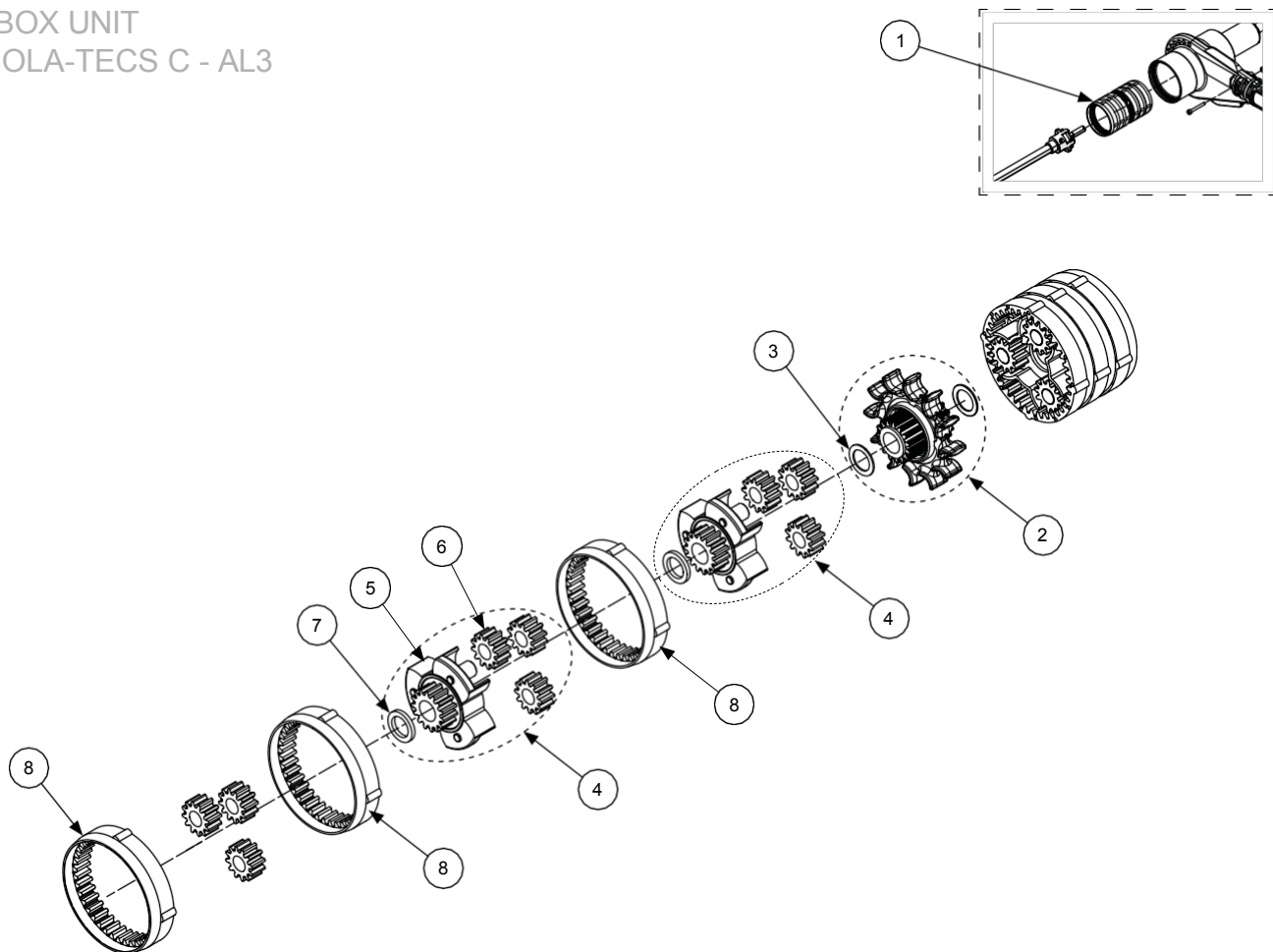


Pos. pos.	Item no. Item no.	Description Description	PU PU	Anzal Qty.
1	0201817	Basic unit - SOLA-TECS - AL3	1 pc. pcs	
2	0304458	Gearbox housing - AL3	1 pc. pcs	
3	0201818	Complete gear set - AL3	1 pc. pcs	
4	0201815	Gear shaft drive 5-kt - AL3	1 pc. pcs	
5	0201816	Gear shaft drive 4-kt - AL3	1 pc. pcs	
6	0500999	Oil seal 16x28x7 NBR A	1 pc. pcs	
7	0500245	Deep groove ball bearing S6001-2RS	1 pc. pcs	
8	0302685	Gearbox cover - AL3	1 pc. pcs	
9	0619553	Circlip DIN 472-A2 - 54 x 2	1 pc. pcs	
10	0200231	Connection PIN - 1.2 (9 l/min)	1 pc. pcs	
11	0200238	Splash guard holder - SOLA-TECS C	1 pc. pcs	
12	0609056	Cheese head screw with ISK DIN 912-A2 - M3 x 25	1 pc. pcs	
13	0620185	Hexagon nut clamping part HF DIN 982-A2 - M3	1 pc. pcs	
14	0201009	Anti-twist protection SOLA-TECS C	1 pc. pcs	

VE= Packaging unit PU
= Packaging Unit

GEAR SET
FOR SOLA-TECS C - AL3

GEARBOX UNIT
FOR SOLA-TECS C - AL3

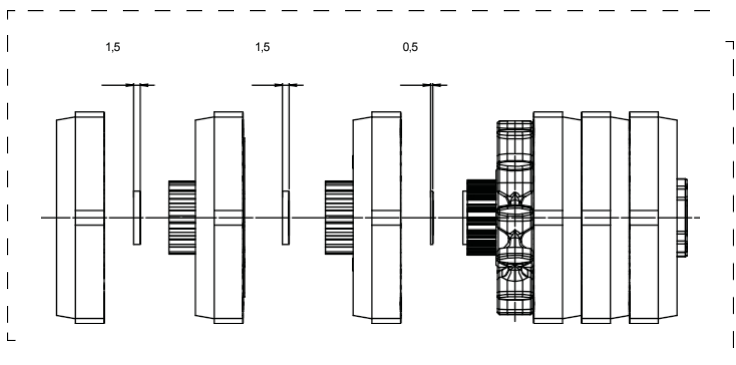
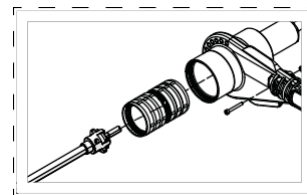


Pos. pos.	Item no. Item no.	Description Description	PU PU	Anzal Qty.
1	0201818	Complete gear set - AL3	1 pc. pcs	
2	0200225	Turbine wheel complete	1 pc. pcs	
3	0201582	Axle disc 0.5 mm - set	2 pcs. pcs	
4	0200876	Complete gear disc	1 pc. pcs	
5	0200224	Gear disc incl. 3 gear pins	1 pc. pcs	
6	0201580	Gear set	18 pcs. pcs	
7	0201581	Axle disc 1.5 mm - set	4 pcs. pcs	
8	0300281	Gearbox outer ring	1 pc. pcs	

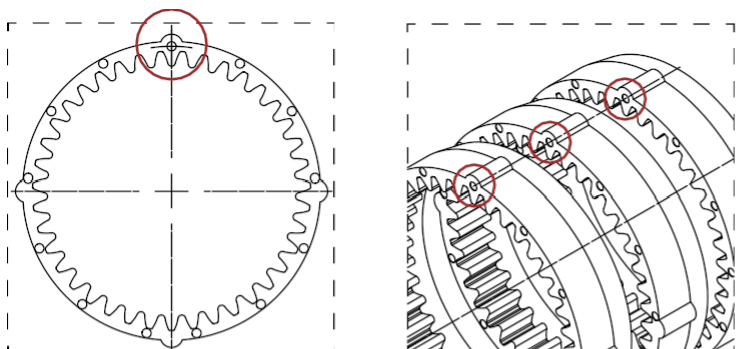
VE= Packaging unit PU
= Packaging Unit

GEAR SET - ASSEMBLY FOR SOLA-TECS C - AL3

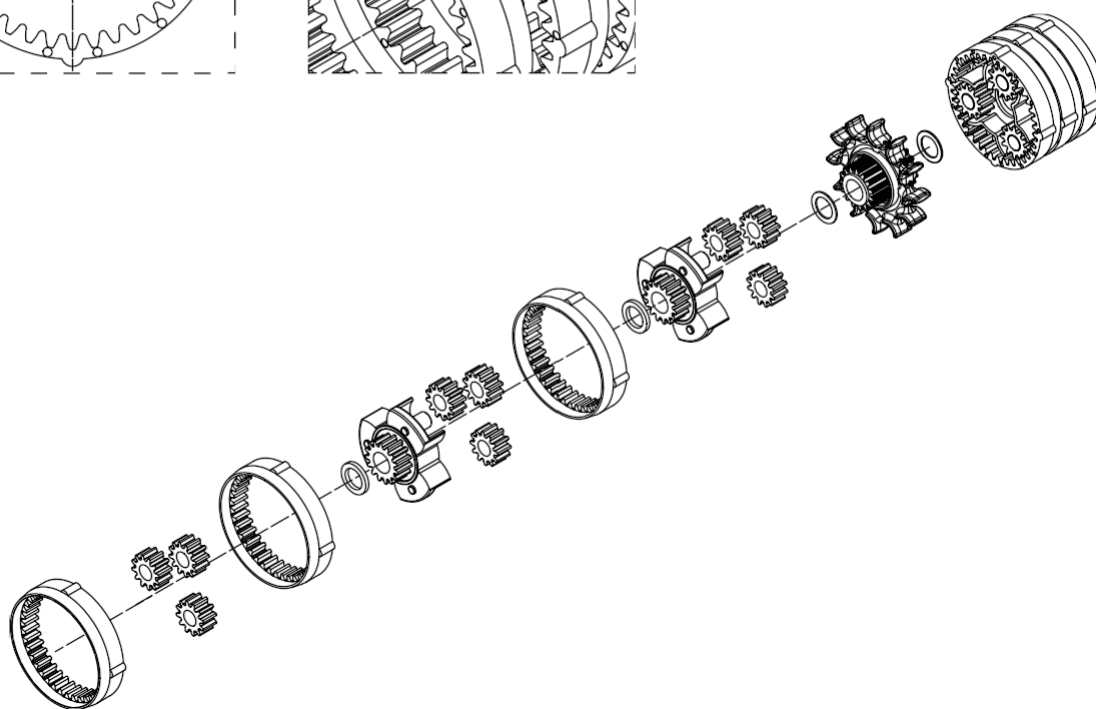
GEARBOX UNIT - ASSEMBLY FOR SOLA-TECS C - AL3



Assembly position of the washers. Assembly position of the washers

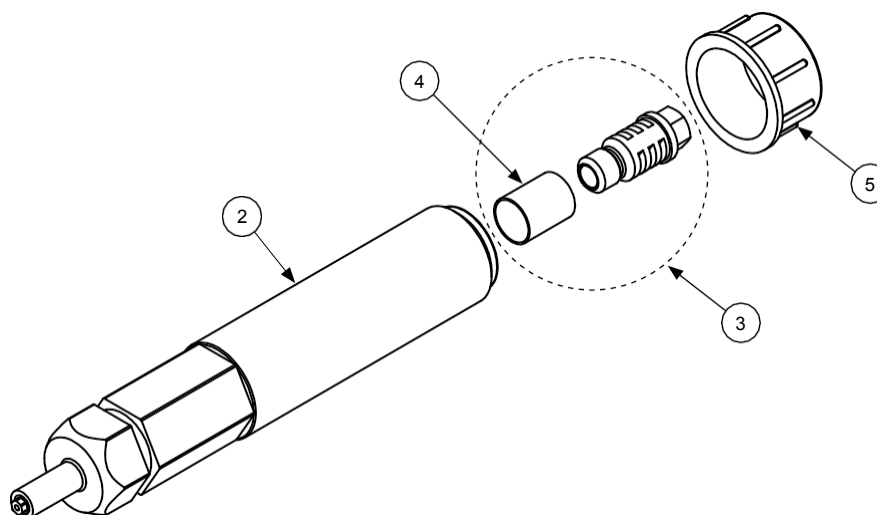
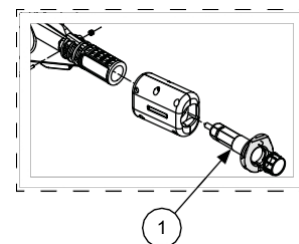


Mounting alignment of the gearbox outer rings. Assembly position of the gear ring.



CONNECTION PIN - 1.2
FOR SOLA-TECS C - AL3

CONNECTION-PIN - 1,2
FOR SOLA-TECS C - AL3

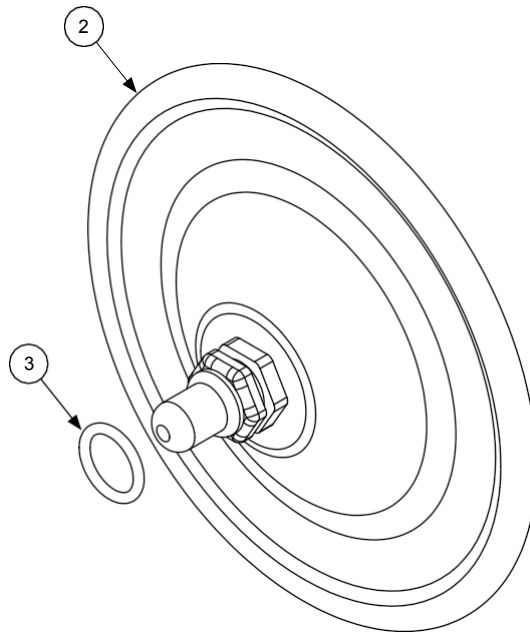
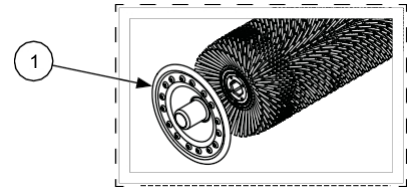


Pos. pos.	Item no. Item no.	Description Description	PU PU	Anzal Qty.
1	0200231	Connection PIN - 1.2 (9 l/min)	1 pc. pcs	
2	0201699	Connection nipple incl. grub screw nozzle M4x1.2	1 pc. pcs	
3	0200230	High pressure filter	1 pc. pcs	
4	0500246	Sieve roll 10 x 13	1 pc. pcs	
5	0500251	Threaded cap M22 x 1.5	1 pc. pcs	

VE= Packaging unit PU
= Packaging Unit

TRANSPORT CAPACITY
FOR SOLA-TECS C - AL3

TRANSPORT COVER
FOR SOLA-TECS C - AL3



Pos. pos.	Item no. Item no.	Description Description	PU PU	Anzal Qty.
1	0200241	Transport cap - SOLA-TECS C	1 pc. pcs	
2	0301549	Transport cap	1 pc. pcs	
3	0601748	O-ring DIN 3771-NBR70 - 20 x 1.5	1 pc. pcs	

VE= Packaging unit PU
= Packaging Unit

ORDER FORM - CUSTOMER DATA FOR
SOLA-TECS C - AL3

ORDER FORM - CUSTOMER DATA
FOR SOLA-TECS C - AL3

Your serial number SOLA-TECS C:
Serial number SOLA-TECS C:

Date| Date:

Customer| Customer:

Contact person| Contact person:

Address Invoice
Invoice address:

Tel| Phone: Fax:

e-mail:

Delivery address|
Delivery address:

Remark| Notice:

Send form by **e-mail** Send
form by e-mail

**Before you can send the form, you must
download it.**